



T3

Automatic Scrubber

Parts Manual



(S/N 10309875-xxxxxxx)

FAST
Foam Scrubbing Technology
The Safe Scrubbing Alternative®

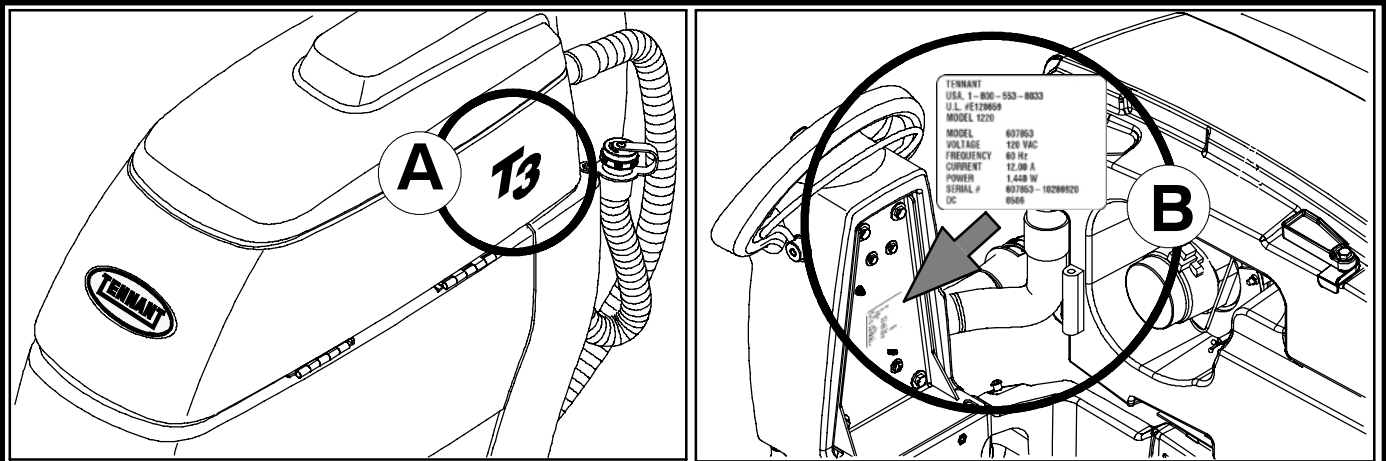
Hygenic® Fully Cleanable Tanks

North America / International

www.tennantco.com

9003392
Rev. 03 (10-2007)





Ref	Part No.	Serial Number	Description	Qty.
1	82681	(000000-)	Bracket Wldt, Lpg Mount	1
2	63810	(000000-)	Ch Assy, Lpg Tank Mtg, W/Nut	4
3	51839	(000000-)	at Adjustable, Lpg Tank Mtg	2
4	49263	(000000-)	Tie, Cable	3
	82556	(000000-001039)	Bracket, Vaporizer	1
	54930	(000000-)	Vaporizer, LPG	1

HOW TO ORDER PARTS - See diagram above

Only use TENNANT Company supplied or equivalent parts. Parts and supplies may be ordered online, by phone, by fax or by mail.

Follow the steps below to ensure prompt delivery.

1. (A) Identify the machine model.
2. (B) Identify the machine serial number from the data label.
3. (C) Ensure the proper serial number is used from the parts list.
4. Identify the part number and quantity.
Do not order by page or reference numbers.
5. Provide your name, company name, customer ID number, billing and shipping address, phone number and purchase order number.
6. Provide detail shipping instructions.

- (D) ▽ - identifies an assembly
 ▲ - identifies parts included in assembly
 (E) ● - identifies a recommended stock item

Please fill out at time of installation for future reference.

Model No. - _____
 Serial No. - _____
 Machine Options - _____
 Sales Rep. - _____
 Sales Rep. phone no. - _____
 Customer ID Number - _____
 Installation Date - _____

Tennant Company

PO Box 1452
 Minneapolis, MN 55440
 Phone: (800) 553-8033 or (763) 513-2850
 www.tennantco.com

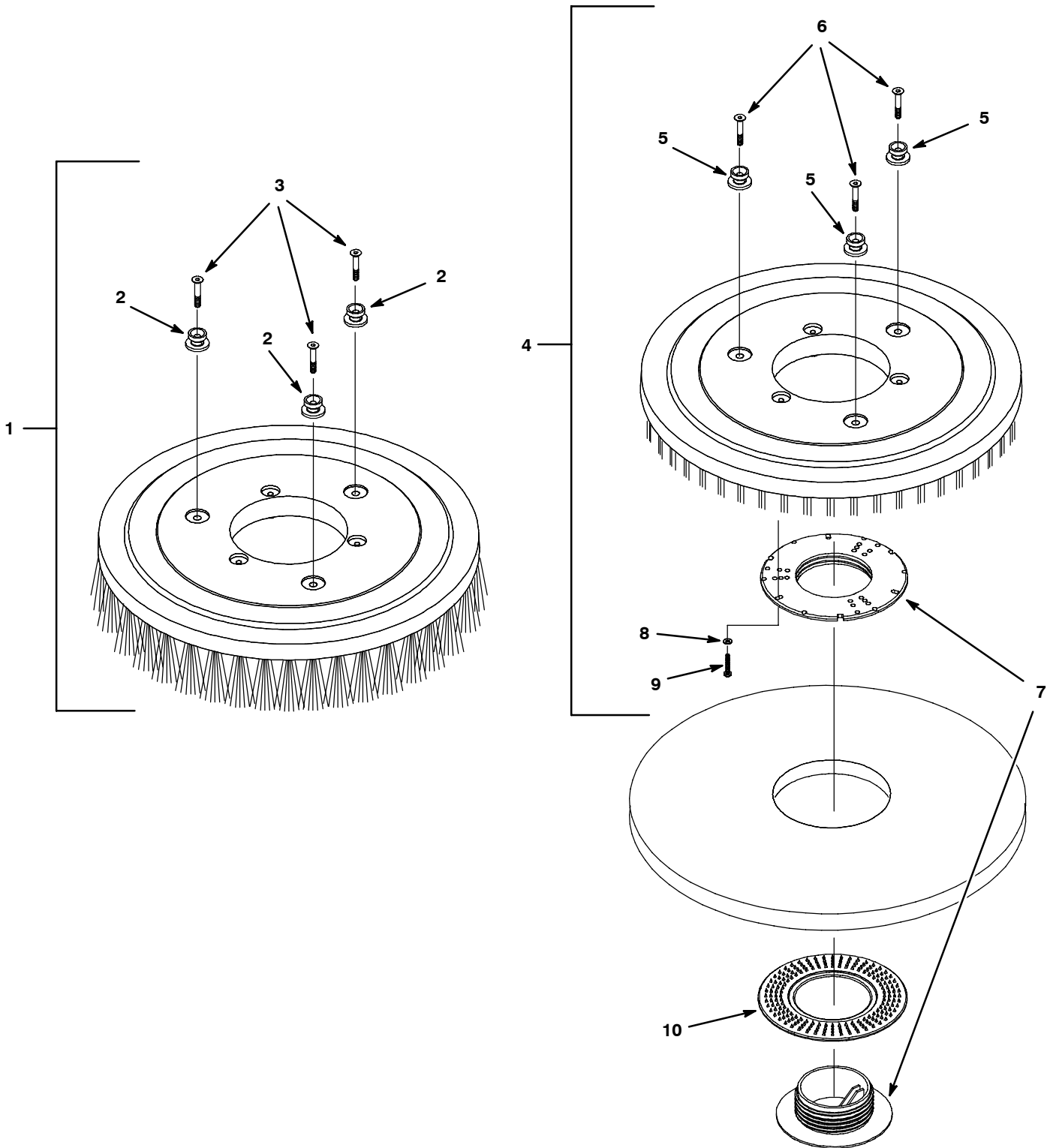
Specifications and parts are subject to change without notice.

Copyright © 2007 TENNANT Company, Printed in U.S.A.

TABLE OF CONTENTS

REPLACEMENT BRUSH AND PAD		9003906 FAST INJECTOR ASSEMBLY	
DRIVER GROUP	4	BREAKDOWN (S/N 10346875-)	48
RECOVERY TANK GROUP	6	9003801 FAST INJECTOR ASSEMBLY	
SOLUTION TANK GROUP	8	BREAKDOWN (S/N 00000000-10346874) ...	49
SOLUTION TANK GROUP - CONTD	10	SOLUTION GROUP, STANDARD MODEL	50
CONTROL CONSOLE GROUP,		SQUEEGEE GROUP	52
DRIVE MODEL	12	BATTERY GROUP, 12V/155AH, 50 cm (20 in)	
COMPONENT PANEL GROUP,		DRIVE MODEL	54
DRIVE MODEL	14	BATTERY GROUP, 12V/130AH, 50 cm (20 in)	
CONTROL CONSOLE GROUP, BRUSH		BRUSH ASSIST MODEL	55
ASSIST MODEL	16	BATTERY GROUP, 12V/105AH, 43 cm (17 in)	
COMPONENT PANEL GROUP, BRUSH		BRUSH ASSIST MODEL	56
ASSIST MODEL	18	BATTERY GROUP, MAINTENANCE FREE,	
WHEEL GROUP, DRIVE MODEL		12V/105AH (Japan)	57
(S/N xxxxxxxx-)	20	OFF-BOARD BATTERY CHARGER GROUP ...	58
WHEEL GROUP, DRIVE MODEL		ELECTRICAL DIAGRAM, DRIVE MODEL	
(S/N 10309875-xxxxxxx)	22	(S/N 10339948-)	60
WHEEL GROUP, DRIVE MODEL		ELECTRICAL DIAGRAM, BRUSH ASSIST MODEL	
(S/N 00000000-10309874)	24	(S/N 10339948-)	61
WHEEL GROUP, BRUSH ASSIST MODEL		ELECTRICAL DIAGRAM, DRIVE MODEL	
(S/N 10309875-)	26	(S/N 00000000-10339947)	62
WHEEL GROUP, BRUSH ASSIST MODEL		ELECTRICAL DIAGRAM, BRUSH ASSIST MODEL	
(S/N 00000000-10309874)	28	(S/N 00000000-10339947)	63
SCRUB HEAD GROUP, 43 cm (17 in) MODEL		OPTIONS	
(S/N 10339948-)	30	OIL RESISTANCE GROUP (Japan)	64
SCRUB HEAD GROUP, 43 cm (17 in) MODEL			
(S/N 00000000-10339947)	32		
SCRUB HEAD GROUP, 50 cm (20 in) MODEL			
(S/N 10339948-)	34		
SCRUB HEAD GROUP, 50 cm (20 in) MODEL			
(S/N 00000000-10339947)	36		
SCRUB HEAD LIFT GROUP			
(S/N 10339948-)	38		
SCRUB HEAD LIFT GROUP			
(S/N 10309875-10339947)	40		
SCRUB HEAD LIFT GROUP			
(S/N 00000000-10309874)	42		
SOLUTION GROUP, FaST MODEL	44		
SOLUTION GROUP, FaST MODEL - CONT'D ..	46		

REPLACEMENT BRUSH AND PAD DRIVER GROUP

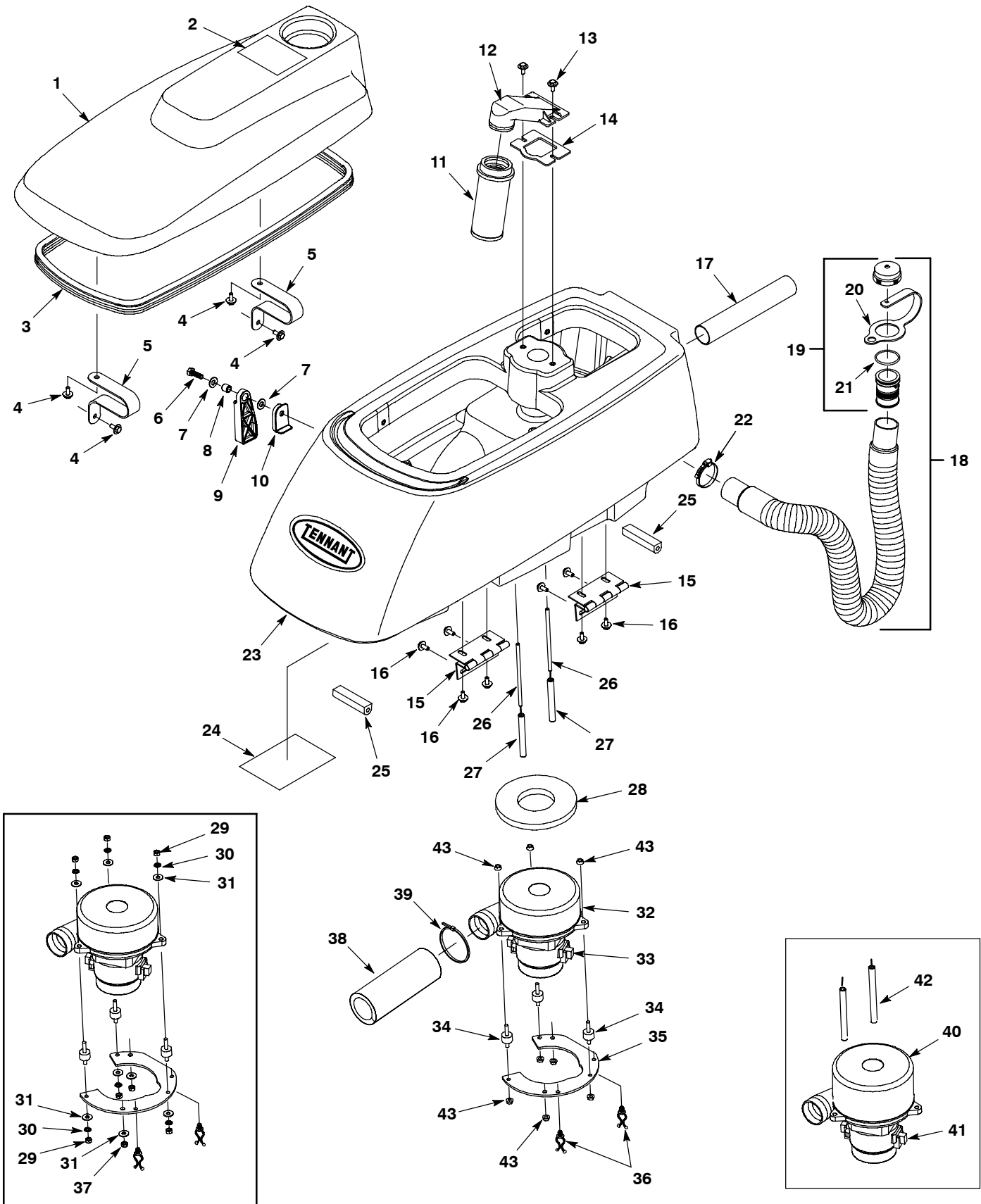


REPLACEMENT BRUSH AND PAD DRIVER GROUP

Ref.	Part No.	Serial Number	Description	Qty.
1	1016763	(00000000-)● Brush Assy, Disk, 43cm/17inch, Super Abrasive Scrub (Gray)	1
1	1016764	(00000000-)● Brush Assy, Disk, 43cm/17inch, Soft Nylon Scrub (White)	1
1	1016765	(00000000-)● Brush Assy, Disk, 43cm/17inch, Polypropylene Scrub (Black)	1
1	1016805	(00000000-)● Brush Assy, Disk, 50cm/20inch, Super Abrasive Scrub (Gray)	1
1	1016810	(00000000-)● Brush Assy, Disk, 50cm/20inch, Soft Nylon Scrub (White)	1
1	1016811	(00000000-)● Brush Assy, Disk, 50cm/20inch, Polypropylene Scrub (Black)	1
2	1013018	(00000000-) Stud, Drive, Brush Pad	3
3	07809	(00000000-) Screw, Flt, M6 X 1.0 X 35, 10.9	3
4	1016813	(00000000-)● Driver Assy, Pad, 43cm/17inch	1
4	1016814	(00000000-)● Driver Assy, Pad, 50cm/20inch	1
5	1013018	(00000000-) Stud, Drive, Brush Pad	3
6	07809	(00000000-) Screw, Flt, M6 X 1.0 X 35, 10.9	3
7	25707AM	(00000000-)● Device Kit, Lock, Center, Rh, Yellow	1
8	41579	(00000000-) Washer, Flat, #08, Ss	3
9	04403	(00000000-) Screw, Pan, M4 X 0.7 X 25, Ss, NI	3
10	572084000	(00000000-)● Washer, Lock, Pad Driver	1

● RECOMMENDED STOCK ITEMS

RECOVERY TANK GROUP



RECOVERY TANK GROUP

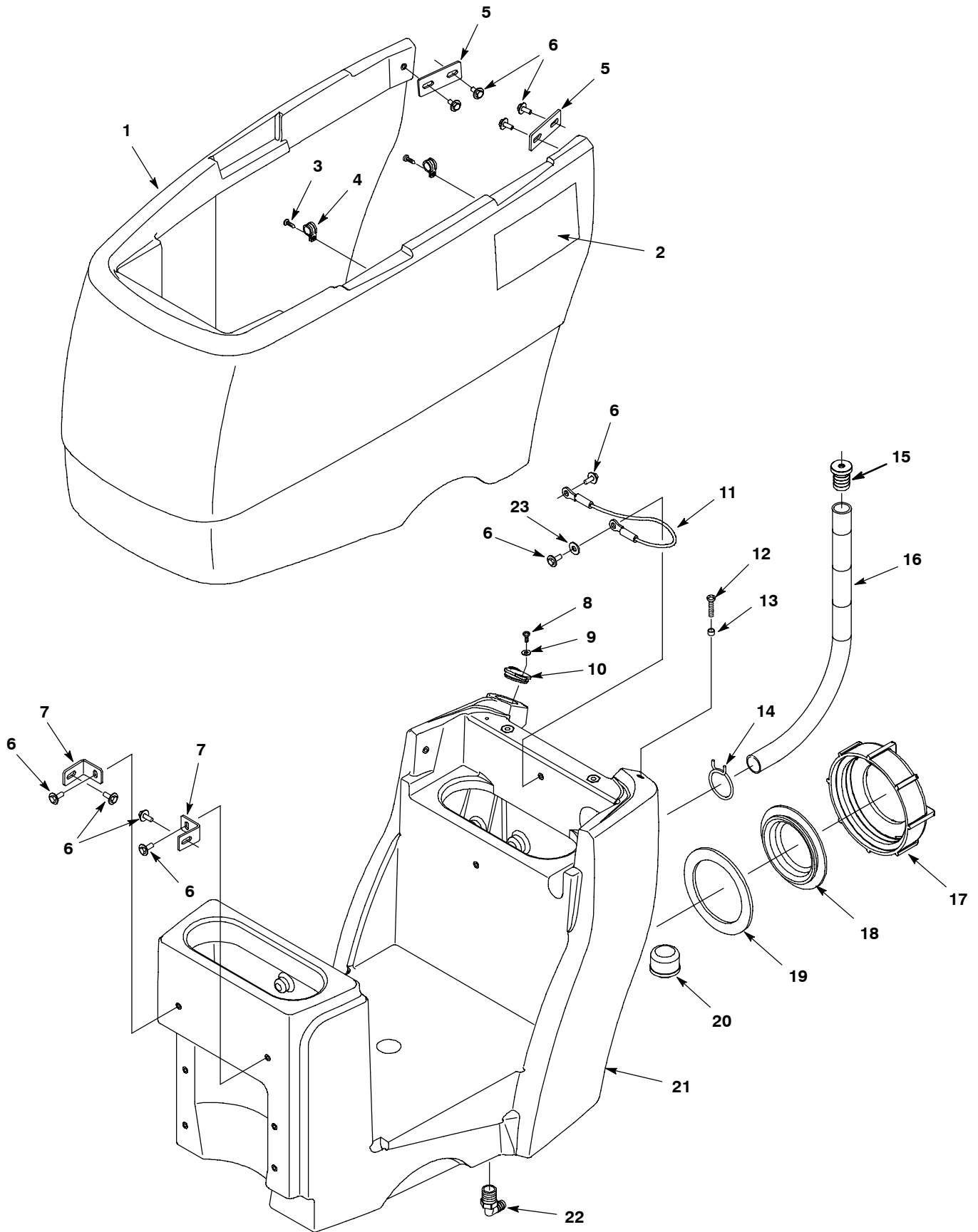
Ref.	Part No.	Serial Number	Description	Qty.
▽	1	1018744	(00000000-xxxxxxx) Cover, Tank, Recvy, Afmkt [T3]	1
▽	1	1019910	(00000000-xxxxxxx) Cover, Tank, Recvy, Afmkt, Tj [T3] (Japan)	1
▲	2	1026387	(00000000-) Label, Warning [Expl,Fire,Shk En/Fr/Es]	1
▲	2	1016753	(00000000-) Label, Warning, 4 X 3, Tj [Dcwb] (Japan)	1
	3	1022797	(00000000-)● Seal, Bulb, Str, .295grv, 66.93l	1
	4	1034731	(10309875-) Screw, Hex, M6 X 1.00 X 16, Ss, Sems	4
	5	1018946	(00000000-xxxxxxx)● Strap, Retaining, 20mm X 159mm X 4.8,Blk	2
	6	1039118	(00000000-) Screw, Btn, M8 X 1.25 X 30, Blk	1
	7	140027	(00000000-) Washer, Flat, 0.35b 0.75d .04, Ss	2
	8	222460	(00000000-) Sleeve, P/M, 0.31b 0.50d 0.5l [430ss]	1
	9	1022399	(00000000-) Support, Tank, Prop, Blk, Nyl	1
	10	1022904	(00000000-) Bracket, Sppt, Stop, Blk, Nyl	1
	11	630052	(00000000-)● Float, Shut-Off, (2)Ball, 1.75d	1
	12	1011777	(00000000-) Mount, Float, Mold	1
	13	1034731	(10309875-) Screw, Hex, M6 X 1.00 X 16, Ss, Sems	2
	14	1013628	(00000000-) Gasket, Mtg, Float, .125th, Neo, Adh	1
	15	1012540	(00000000-) Hinge, 6mm Pin 2.5 73.5mmw 100mml, Bent	2
	16	1034731	(10309875-) Screw, Hex, M6 X 1.00 X 16, Ss, Sems	8
	17	1023748	(00000000-xxxxxxx) Tube, Hose, Sqge, Blk, Abs [T3]	1
▽	18	1017380	(00000000-)● Hose Assy, Drain, 1.50id X 29.5l, Blk	1
▲▽	19	1008639	(00000000-)● Cap, Drain Assy	1
▲▲	20	1019563	(00000000-)● Strap, Cap, Drain	1
▲▲	21	1008637	(00000000-)● Seal, Org, 1.48id 1.76od	1
	22	11531	(00000000-)● Clamp, Hose, Wormdrive, 1.06-2.00d, .56w	1
▽	23	1018743	(00000000-xxxxxxx) Tank, Recvy, Afmkt [T3] (Teal)	1
▲	24	1014154	(00000000-) Label, Instr, Battery [T3]	1
▲	25	630368	(00000000-)● Gasket, 650mm, Rac, Vac	1
▽	23	1023949	(00000000-xxxxxxx) Tank, Recvy, Rm-nlg, W/ Label, Afmkt [T3] (Gray)	1
▲	24	1014154	(00000000-) Label, Instr, Battery [T3]	1
▲	25	630368	(00000000-)● Gasket, 650mm, Rac, Vac	1
	26	1015412	(00000000-) Rod, Thrd, Full, M06 X 1.0 05.5l	2
	27	1024575	(10235463-) Tube, 0.28id 0.43od 03.3l, Pl	2
	28	100038	(00000000-)● Gasket, Motor, Vacuum, 5.7, Epdm, Adh	1
	29	07785	(00000000-10349193) Nut, Hex, Std, M6 X 1.00, A2, Ss	6
	30	07515	(00000000-10349193) Washer, Lock, Int, 0.25, Ss	6
	31	01684	(00000000-10349193) Washer, Flat, 0.27b 0.69d .05, Ss	8
▽	32	1023271	(10235463-)● Fan, Vacuum, 5.7d, 024vdc, 2 Stage [Bpt]	1
▲	33	372883	(10235463-)● Vr, Brush Kit, Motor, Ele	1
	34	1011093	(00000000-)● Isolator, Vib, .75d, M6 Stud Both Ends	3
	35	1011962	(00000000-xxxxxxx) Bracket, Mtg, Vacuum	1
	36	30406	(00000000-) Clip, Keeper	2
	37	08712	(00000000-10349193) Nut, Hex, Lock, M6 X 1.00, Ss, NI	2
	38	1009906	(00000000-)● Muffler, Exhaust, Vacuum, 170mml [T3]	1
	39	130773	(00000000-) Tie, Cable, Nyl, 11.0l, .14w, 3.0 Max. D	1
▽	40	1017757	(00000000-10235462)● Motor Kit, Vacuum, 24vdc, Afmkt	1
▲	41	1018079	(00000000-10235462)● Brush, Carbon, Vacfan, Replmt [Rotafil]	1
	42	1016405	(00000000-10235462) Spacer, 7.0mmb 11.0mmd 94.8mml, Zn	2
	43	1040381	(10349194-) Nut, Hex, Flng, M6 X 1.0, Ss [Serrated]	8

▽ ASSEMBLY

▲ INCLUDED IN ASSEMBLY

● RECOMMENDED STOCK ITEMS

SOLUTION TANK GROUP



SOLUTION TANK GROUP

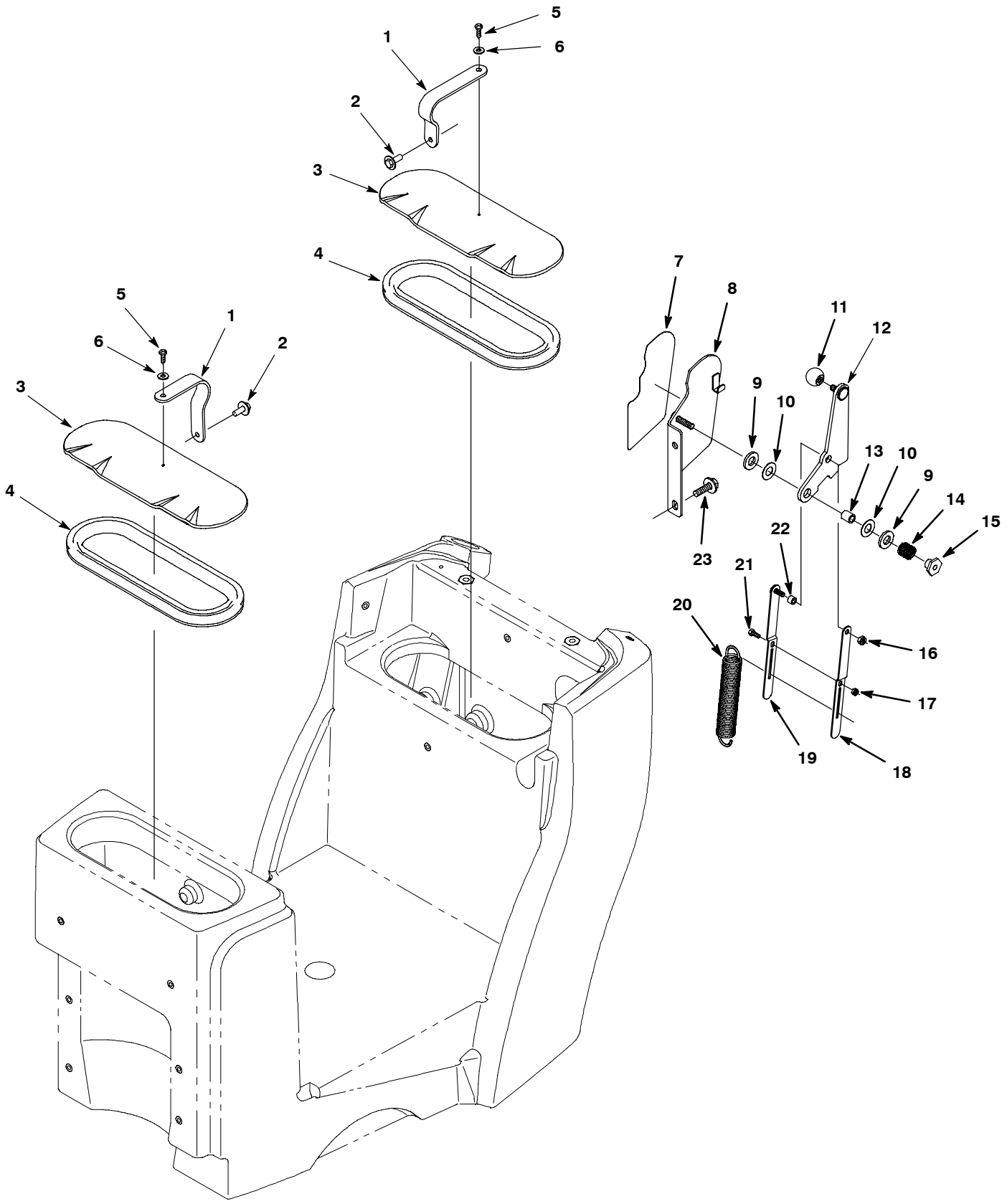
Ref.	Part No.	Serial Number	Description	Qty.
▽	1	1037658	(00000000-) Shroud, Front, Afmkt, Rm-Teal	1
▲	2	1016625	(00000000-) Label, Side [T3]	2
▲	2	1016626	(00000000-) Label, Side [T3 Fast]	2
▽	1	1037659	(00000000-) Shroud, Front, Afmkt, Rm-Gray	1
▲	2	1016625	(00000000-) Label, Side [T3]	2
▲	2	1016626	(00000000-) Label, Side [T3 Fast]	2
	3	1018155	(00000000-) Screw, Pan, M5 X 0.8 X16, Ss, Tcut	2
	4	1016354	(00000000-) Clamp, Cable, Ss, 0.50d X 0.50w [Insul]	2
	5	1012614	(00000000-) Bracket, Attmnt, Shrd	2
	6	1034731	(10309875-) Screw, Hex, M6 X 1.00 X 16, Ss, Sems	10
	7	1012544	(00000000-) Bracket, Sppt, Shrd	2
	8	1018155	(00000000-) Screw, Pan, M5 X 0.8 X16, Ss, Tcut	1
	9	01683	(00000000-) Washer, Flat, 0.22b 0.50d .05, Ss [#10]	1
	10	1012965	(00000000-)● Cap, Port, Soltn Fill	1
	11	140960	(00000000-) Cable, Glv .13d 014.5l .34eye /.34eye	1
	12	608322	(00000000-) Screw, Trs, M6 X 1.00 X 16, Phl, Ss	1
	13	140154	(00000000-) Sleeve, P/M, 0.25b 0.38d 0.3l, Pl	1
	14	608915	(00000000-) Clamp, Hose, Wir, 1.03 - 1.09	1
	15	1035469	(00000000-) Fitting, Plastic, Bm12 [Sight Tube]	1
	16	1011721	(00000000-)● Hose, Drain, 0.75id X 25.6l, Vyl	1
	17	1014001	(00000000-) Cap, Tank, Drain, Thrd	1
	18	1014029	(00000000-) Plug, Cap, Gray	1
	19	375206	(00000000-)● Gasket, 4.05id 5.47od .19, Neo	1
	20	1015522	(00000000-)● Filter, Screen, 080 Mesh, Ss, Pf08	1
	21	1018741	(00000000-) Tank, Soltn, Afmkt [T3]	1
	22	1013505	(00000000-) Fitting, Plstc, E90, Bm08/Pm08, Nyl	1
	23	01684	(00000000-) Washer, Flat, 0.27b 0.69d .05, Ss	1

▽ ASSEMBLY

▲ INCLUDED IN ASSEMBLY

● RECOMMENDED STOCK ITEMS

SOLUTION TANK GROUP - CONTD

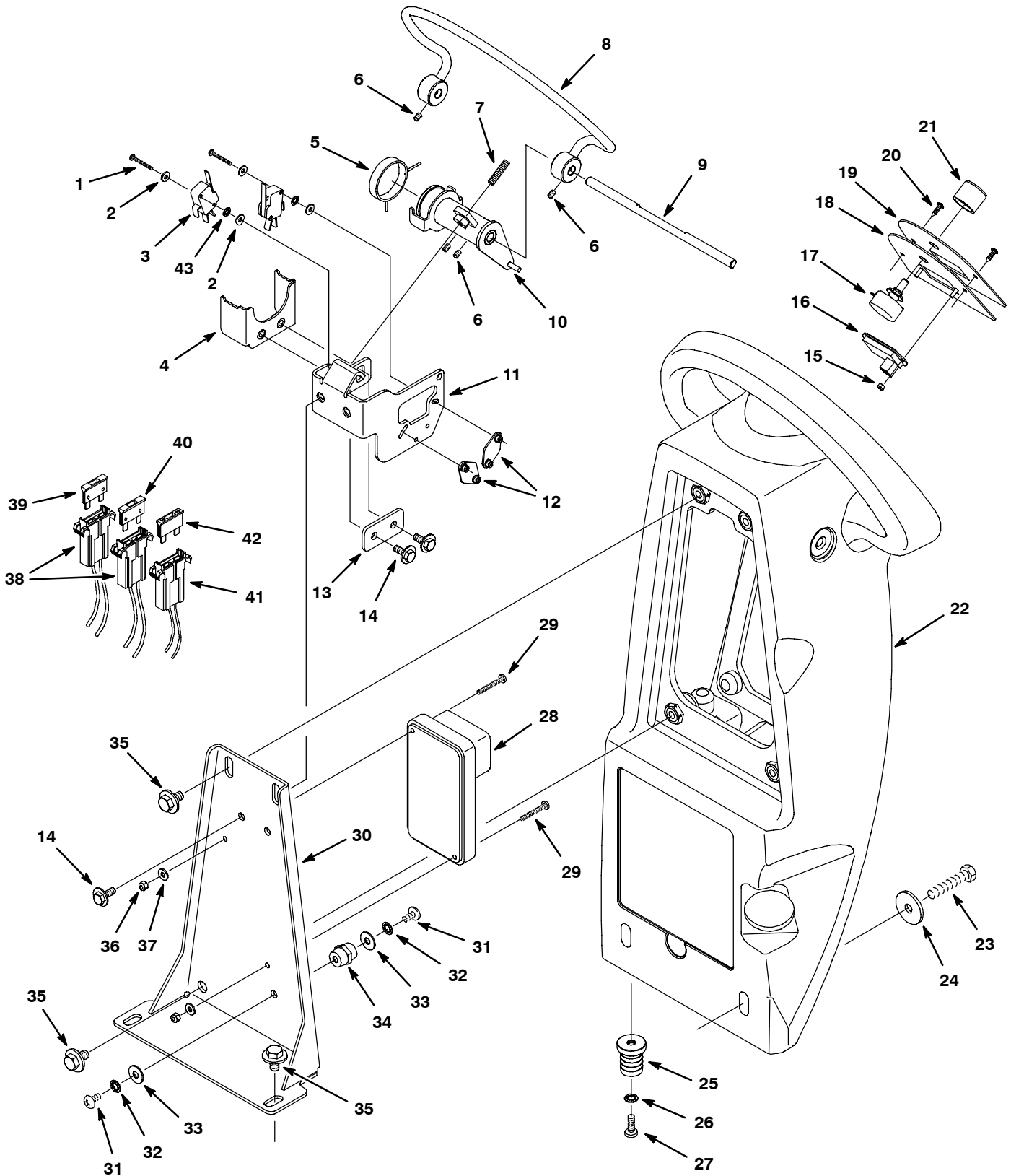


SOLUTION TANK GROUP - CONTD

Ref.	Part No.	Serial Number	Description	Qty.
1	1013768	(00000000-)● Strap, Retaining, 20mm X 159mm X 3.2,Blk	2
2	1034731	(00000000-) Screw, Hex, M6 X 1.00 X 16, Ss, Sems	2
3	1011585	(00000000-) Cover, Tank, Soltn	2
4	1017251	(00000000-)● Seal, Bulb, 90, 0.49d .08-.09grip 022.2l	2
5	1018155	(00000000-) Screw, Pan, M5 X 0.8 X16, Ss, Tcut	2
6	01683	(00000000-) Washer, Flat, 0.22b 0.50d .05, Ss [#10]	2
7	1018389	(00000000-) Label, Lever, Dual Down Press	1
8	1018020	(00000000-) Bracket Wldt, Mtg, Dual Dp Lever [T3]	1
9	140127	(00000000-) Bearing, Thrust, 0.51b 1.00d 0.12w, Brz	2
10	89710	(00000000-) Washer, Flat, 0.51b 1.00d .03, Nyl	2
11	1017156	(00000000-)● Knob, Ball, M8 Insert, 40mmd, Plstc	1
12	1017493	(00000000-) Lever, Lift, Dual Down Press	1
13	1014336	(00000000-) Sleeve, P/M, 8.40b 12.60d 14.5l, PI	1
14	1018756	(00000000-) Spring, Cmpr, 0.70od .08wir 00.7l, PI,Mw	1
15	1018181	(00000000-) Retainer, Spring, Lever	1
16	08708	(00000000-) Nut, Hex, Lock, M6 X 1.00, NI	1
17	09739	(00000000-) Nut, Hex, Lock, M5 X 0.80, NI, Ss	1
18	1017805	(00000000-) Link, Spring, Lever	1
19	1017882	(00000000-) Link Wldt, Spring, Lever	1
20	1031783	(10339948-) Spring, Extn, 1.00od 0.12wir 06.3l	1
20	1013545	(00000000-10339947) Spring, Extn, 1.00od 0.10wir 06.0l (43cm Model)	1
20	1022178	(00000000-10339947) Spring, Extn, 1.00od 0.10wir 06.0l (50cm Model)	1
21	09738	(00000000-) Screw, Hex, M5 X 0.8 X 12, Ss	1
22	1017884	(00000000-) Bushing, Sleeve, 6mmb 10mmd 7mml	1
23	1020341	(00000000-) Screw, Hex, M8 X 1.25 X 20, Ss, Sems Sq	2

● RECOMMENDED STOCK ITEMS

CONTROL CONSOLE GROUP, DRIVE MODEL



CONTROL CONSOLE GROUP, DRIVE MODEL

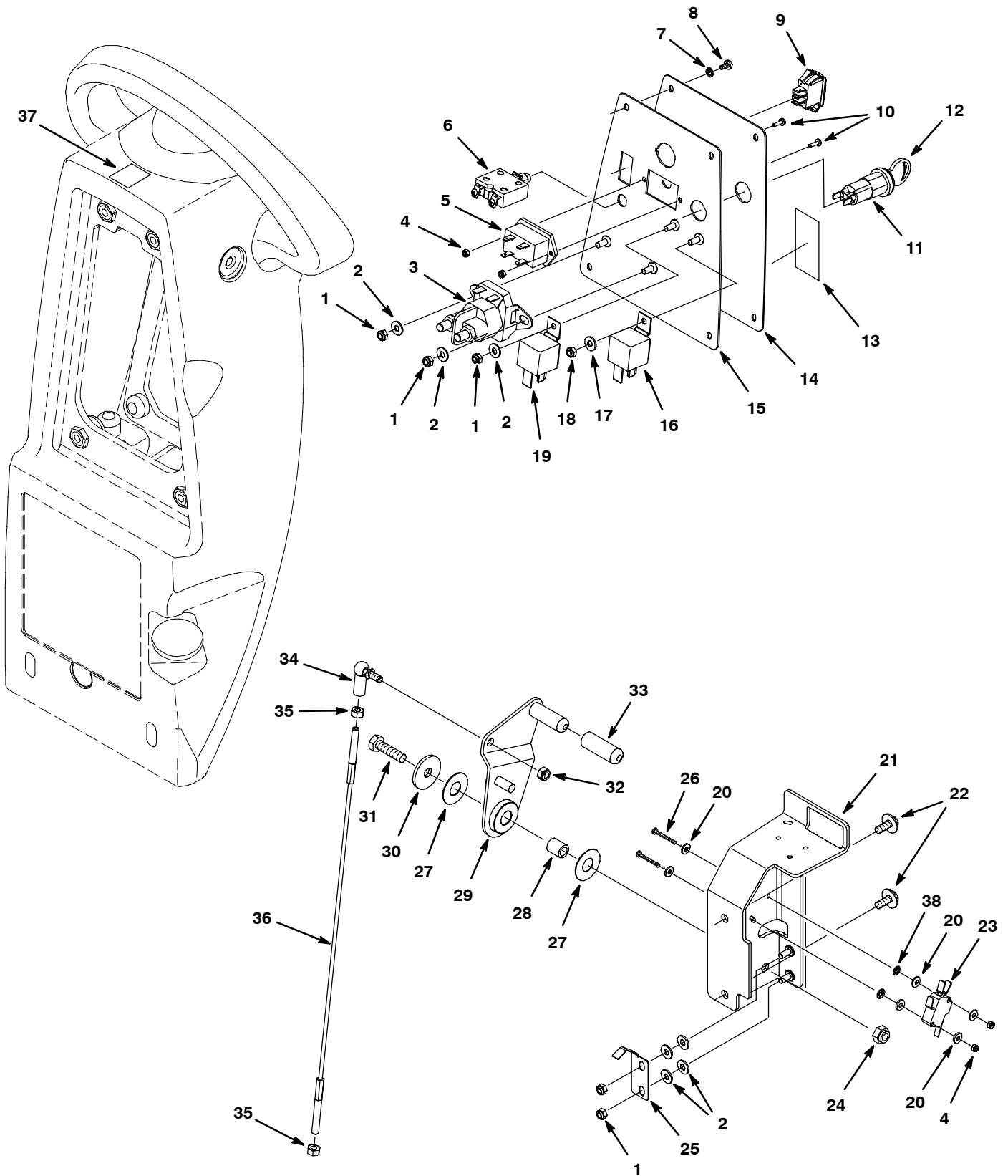
Ref.	Part No.	Serial Number	Description	Qty.	
1	1042062	(00000000-) Screw, Hex, M3 X 0.5 X 25, Ss	4	
2	41578	(00000000-) Washer, Flat, #06, Ss	8	
3	1012568	(00000000-)● Switch, Snap, 10a, Short	2	
4	1015570	(00000000-) Bracket, Spring, Balancer, Bail	1	
5	630088	(00000000-) Spring, Tors, Cntr, .072, Pl, Mw	1	
6	1015578	(00000000-) Screw, Set, M8 X 1.25 X 8, Ss, NI[Cuppt]	4	
7	1018559	(00000000-) Screw, Set, M6 X 1.0 X 30, Ss	1	
8	1013363	(00000000-) Lever Wldt, Bail, Console	1	
9	1013342	(00000000-) Shaft, Actuator, Forward / Reverse	1	
10	1013381	(00000000-) Collar Wldt, Actuator, Console	1	
11	1013364	(00000000-) Bracket, Switch, Bail	1	
12	1013705	(00000000-) Plate, Thread, Switch, M3 Nut, 96hr Pl	2	
13	1015826	(00000000-) Plate, Screw, Bail	1	
14	1034731	(10309875-) Screw, Hex, M6 X 1.0 X 16, Ss	4	
15	579211	(00000000-) Nut, Hex, Lock, M3 X 0.50, Ss	2	
16	392894	(00000000-)● Gauge, Discharge, Battery, 36vdc, Rt,Led	1	
17	1013567	(00000000-)● Harness, Pot, Wire Assy	1	
18	1011707	(00000000-) Panel, Cntrl, Upper	1	
19	1014157	(00000000-) Label, Opertnl, Upper, Propel [Tt]	1	
20	140825	(00000000-) Screw, Pan, #06 X 0.50, Phl, Blk,Fmg[Ab]	2	
21	606550	(00000000-)● Knob, Rnd, 0.92d 0.76l 0.25b, Plstc	1	
22	1018745	(00000000-) Housing, Cntrl, Afmkt [T3]	1	
23	09026	(00000000-) Screw, Hex, M8 X 1.25 X 40, Ss	2	
24	1016331	(00000000-) Washer, Flat, 0.34b 1.25d .11, Ss	2	
25	1035469	(00000000-) Fitting, Plastic, B12 [Sight Tube]	1	
26	07515	(00000000-) Washer, Lock, Int, 0.25, Ss	1	
27	367770	(00000000-) Screw, Pan, M6 X 1.0 X 16, Ss	1	
28	1010905	(00000000-)● Module, Drive	1	
29	33931	(00000000-)● Screw, Pan, M4 X 0.7 X 30, Ss	2	
30	1012011	(00000000-) Bracket, Hsng, Cntrl [T3]	1	
31	48732	(00000000-) Screw, Pan, M6 X 1.0 X 10, Ss	2	
32	07515	(00000000-) Washer, Lock, Int, 0.25, Ss	2	
33	01684	(00000000-) Washer, Flat, 0.27b 0.69d .05, Ss	2	
34	1013523	(00000000-)● Stand-Off, Wir, M6, 18 Hex, 20l, Insul	1	
35	1020341	(10309875-) Screw, Hex, M8 X 1.25 X 20, Ss, Sems Sq	6	
36	33932	(00000000-) Nut, Hex, Lock, M4 X 0.70, NI, Ss	2	
37	41579	(00000000-) Washer, Flat, #08, Ss	2	
▽	38	1032301	(10339948-) Harness, Main, Drive [T3]	1
▲	39	1016040	(00000000-)● Fuse, 025a 032vdc	1
▲	40	1016041	(00000000-)● Fuse, 030a 032vdc	1
▽	38	1037225	(10339948-) Harness, Main, Propel [T3 Emc] (Australian Model)	1
▲	39	1016040	(00000000-)● Fuse, 025a 032vdc	1
▲	40	1016041	(00000000-)● Fuse, 030a 032vdc	1
▽	38	1019436	(00000000-10339947) Harness, Main, Propel [T3 - Us]	1
▲	39	1016040	(00000000-)● Fuse, 025a 032vdc	1
▲	40	1016041	(00000000-)● Fuse, 030a 032vdc	1
▽	41	1013644	(00000000-) Harness [Fast Option] (Fast Model)	1
▲	42	1016039	(00000000-)● Fuse, 007.5a 032vdc (Fast Model)	1
	43	02938	(00000000-) Washer, Lock, Int, 08, Ss	4

▽ ASSEMBLY

▲ INCLUDED IN ASSEMBLY

● RECOMMENDED STOCK ITEMS

COMPONENT PANEL GROUP, DRIVE MODEL



COMPONENT PANEL GROUP, DRIVE MODEL

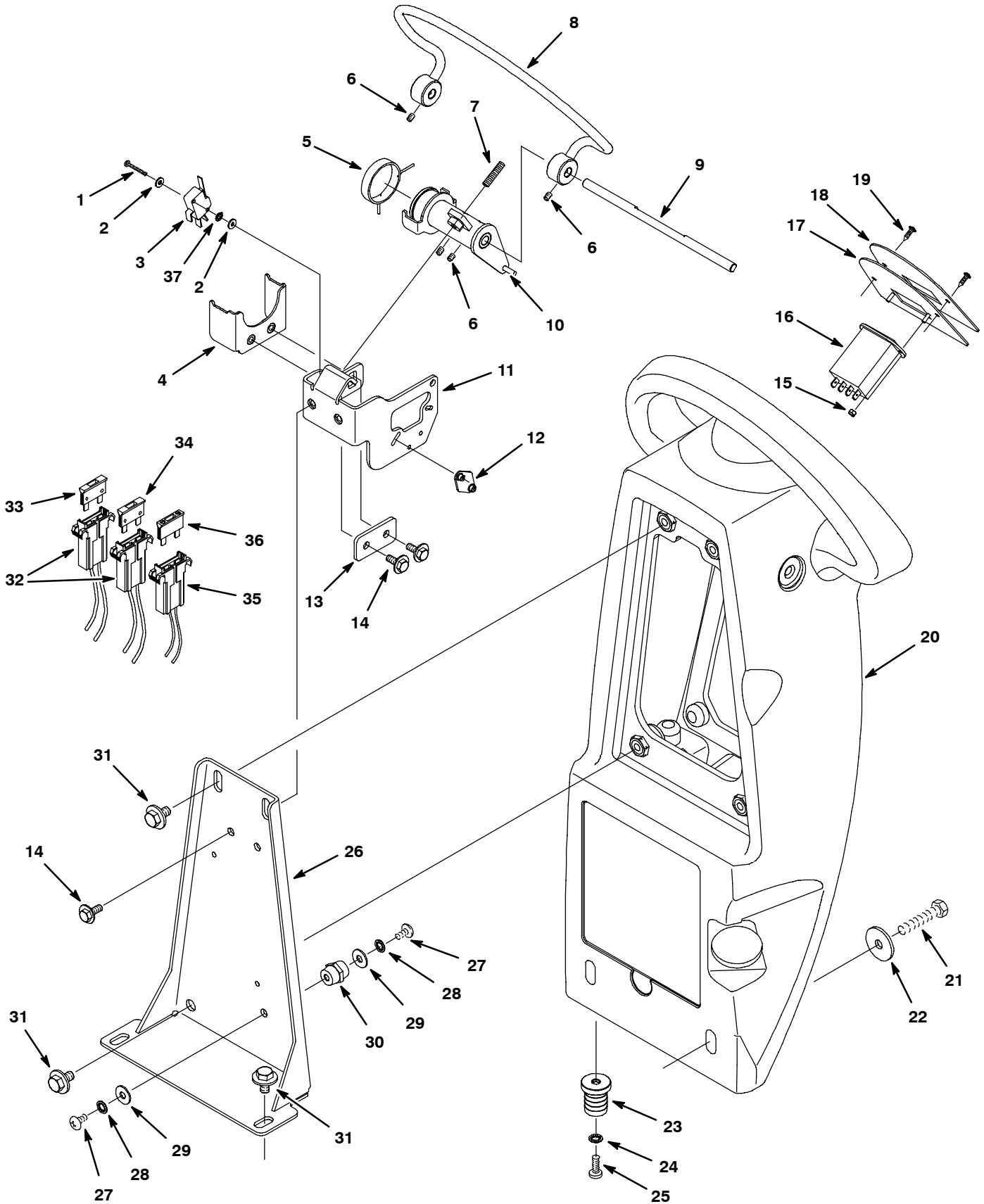
Ref.	Part No.	Serial Number	Description	Qty.	
1	09739	(00000000-) Nut, Hex, Lock, M5 X 0.80, NI, Ss	5	
2	01683	(00000000-) Washer, Flat, 0.22b 0.50d .05, Ss [#10]	7	
3	1038490	(00000000-)● Relay, 24vdc, 100a, No [Trombetta]	1	
4	579211	(00000000-) Nut, Hex, Lock, M3 X 0.50, Ss	4	
5	1014572	(00000000-)● Gauge, Hourmeter, 14-48vdc, Lcd, Rt., 1hr	1	
6	1035339	(10339948-)● Circuitbreaker, 37.0a	1	
6	606780	(00000000-10339947)● Circuitbreaker, 30.0a, Resetable	1	
7	02938	(00000000-) Washer, Lock, Int, #08, Ss	4	
8	391403	(00000000-) Screw, Pan, M4 X 0.7 X 8, Ss	4	
9	130787	(00000000-)● Switch, Rocker, Spdt (Fast Model)	1	
10	06920	(00000000-) Screw, Pan, M3 X 0.50 X 10, 4.8	2	
▽	11	1011402	(00000000-)● Switch, Key	1
▲	12	1017696	(00000000-)● Key Set, Replmt [F/ Keyswitch 1011402]	1
13	1015012	(00000000-) Label [Nfsi Certification]	1	
14	1016628	(00000000-) Label, Lower, Na / AeJ [W/ Fast] (Fast Model)	1	
15	1036158	(10339948-) Panel, Cntrl, Lower [37 Amp]	1	
15	1012134	(00000000-10339947) Panel, Cntrl, Lower	1	
16	1012216	(00000000-) Relay, 24vdc, 070a, Spst No, Plug-In (Fast Model)	1	
17	01683	(00000000-) Washer, Flat, 0.22b 0.50d .05, Ss [#10] (Fast Model)	1	
18	09739	(00000000-) Nut, Hex, Lock, M5 X 0.80, NI, Ss (Fast Model)	1	
19	1012216	(00000000-)● Relay, 24vdc, 070a, Spst No, Plug-In	1	
20	41578	(00000000-) Washer, Flat, #06, Ss	6	
21	1012850	(00000000-) Bracket Wldt, Lever, Sqge	1	
22	1034731	(10309875-) Screw, Hex, M6 X 1.00 X 16, Ss, Sems	2	
23	1012568	(00000000-)● Switch, Snap, 10a, Short	1	
24	08713	(00000000-) Nut, Hex, Lock, M8 X 1.25, NI, Ss	1	
25	1015459	(00000000-) Spring, Lever, Sqge	1	
26	1042062	(00000000-) Screw, Hex, M3 X 0.5 X 25, Ss	2	
27	1013397	(00000000-) Washer, Flat, M13 X 30 X 0.8, Nyl	2	
28	1014336	(00000000-)● Sleeve, P/M, 8.40b 12.60d 14.5l, PI	1	
29	1013329	(00000000-) Lever Wldt, Sqge	1	
30	1016331	(00000000-) Washer, Flat, 0.34b 1.25d .11, Ss	1	
31	09011	(00000000-) Screw, Hex, M8 X 1.25 X 30, Ss	1	
32	08712	(00000000-) Nut, Hex, Lock, M6 X 1.00, Ss, NI	1	
33	1016895	(00000000-)● Cap, Handle, Sqge Lift	1	
34	1012747	(00000000-)● Balljoint, M06 X 1.0 Fem, M06 X 1.0 Mal	1	
35	07785	(00000000-) Nut, Hex, Std, M6 X 1.00, A2, Ss	2	
36	1013479	(00000000-) Cable, Glv 3.18mmd 0422l M6/ M6	1	
37	1016572	(00000000-) Label, Dir	1	
38	02938	(00000000-) Washer, Lock, Int, 08, Ss	2	

▽ ASSEMBLY

▲ INCLUDED IN ASSEMBLY

● RECOMMENDED STOCK ITEMS

CONTROL CONSOLE GROUP, BRUSH ASSIST MODEL



CONTROL CONSOLE GROUP, BRUSH ASSIST MODEL

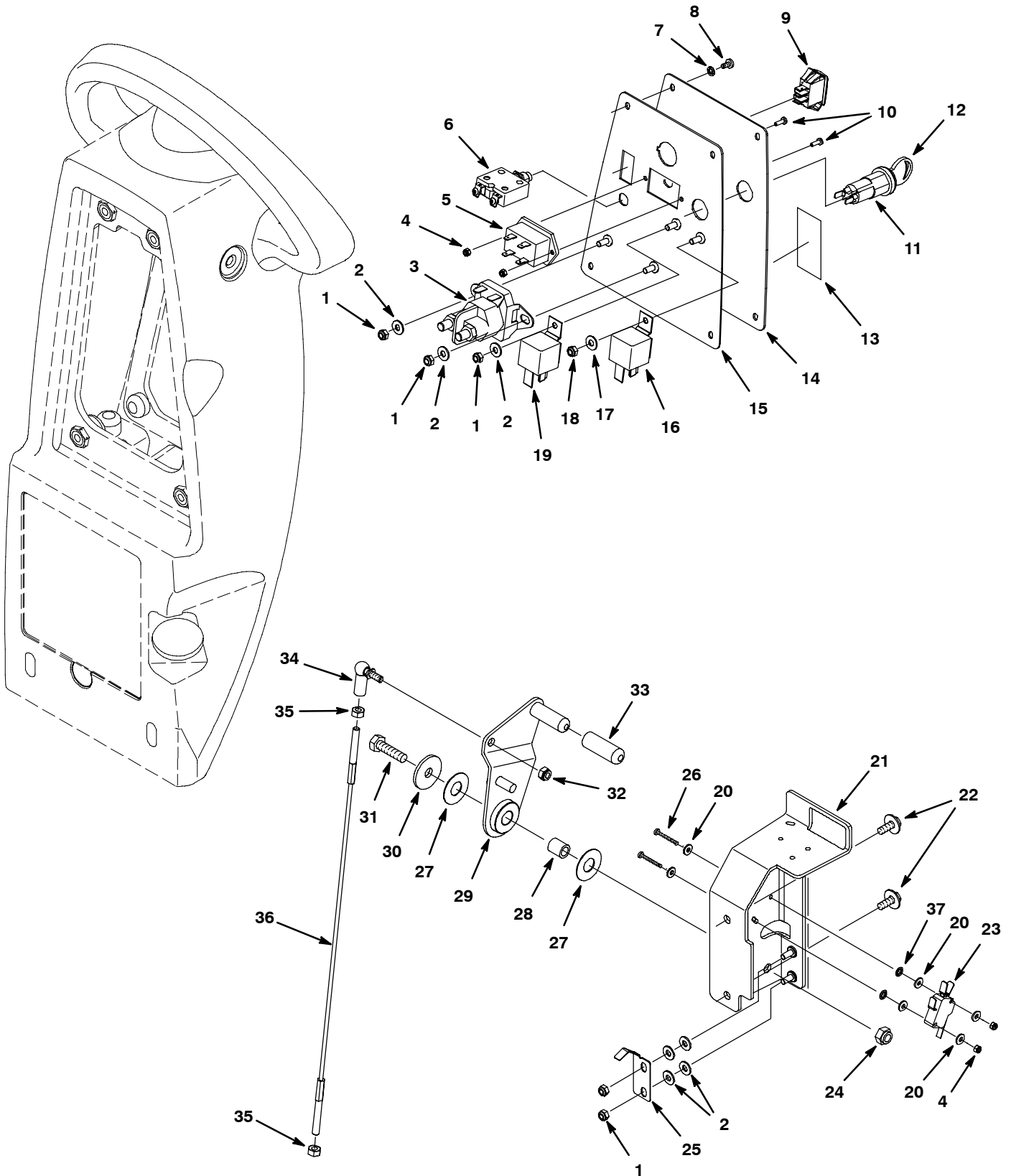
Ref.	Part No.	Serial Number	Description	Qty.	
1	1042062	(00000000-) Screw, Hex, M3 X 0.5 X 25, Ss	2	
2	41578	(00000000-) Washer, Flat, #06, Ss	4	
3	1012568	(00000000-)● Switch, Snap, 10a, Short	1	
4	1015570	(00000000-) Bracket, Spring, Balancer, Bail	1	
5	630088	(00000000-) Spring, Tors, Cntr, .072, Pl, Mw	1	
6	1015578	(00000000-) Screw, Set, M8 X 1.25 X 8, Ss, NI[Cuppt]	4	
7	1018559	(00000000-) Screw, Set, M6 X 1.0 X 30, Ss	1	
8	1013363	(00000000-) Lever Wldt, Bail, Console	1	
9	1013342	(00000000-) Shaft, Actuator, Forward / Reverse	1	
10	1013381	(00000000-) Collar Wldt, Actuator, Console	1	
11	1013364	(00000000-) Bracket, Switch, Bail	1	
12	1013705	(00000000-) Plate, Thread, Switch, M3 Nut, 96hr Pl	1	
13	1015826	(00000000-) Plate, Screw, Bail	1	
14	1034731	(10309875-) Screw, Hex, M6 X 1.00 X 16, Ss, Sems	4	
15	579211	(00000000-) Nut, Hex, Lock, M3 X 0.50, Ss	2	
16	1016712	(00000000-)● Indicator, Battery, 24vdc, 1.73volt/Cell	1	
17	1011707	(00000000-) Panel, Cntrl, Upper	1	
18	1016755	(00000000-) Label, Opertnl, Upper, Brush Assist	1	
19	140825	(00000000-) Screw, Pan, #06 X 0.50, Phl, Blk,Fmg[Ab]	2	
20	1018745	(00000000-) Housing, Cntrl, Afmkt [T3]	1	
21	09026	(00000000-) Screw, Hex, M8 X 1.25 X 40, Ss	2	
22	1016331	(00000000-) Washer, Flat, 0.34b 1.25d .11, Ss	2	
23	1035469	(00000000-) Fitting, Plastic, B12 [Sight Tube]	1	
24	07515	(00000000-) Washer, Lock, Int, 0.25, Ss	1	
25	367770	(00000000-) Screw, Pan, M6 X 1.0 X 16, Ss	1	
26	1012011	(00000000-) Bracket, Hsng, Cntrl [T3]	1	
27	48732	(00000000-) Screw, Pan, M6 X 1.0 X 10, Ss	2	
28	07515	(00000000-) Washer, Lock, Int, 0.25, Ss	2	
29	01684	(00000000-) Washer, Flat, 0.27b 0.69d .05, Ss	2	
30	1013523	(00000000-)● Stand-Off, Wir, M6, 18 Hex, 20l, Insul	1	
31	1020341	(10309875-) Screw, Hex, M8 X 1.25 X 20, Ss, Sems	6	
▽	32	1032335	(10339948-) Harness, Main, Push [T3]	1
▲	33	1016040	(00000000-)● Fuse, 025a 032vdc	1
▲	34	1016041	(00000000-)● Fuse, 030a 032vdc	1
▽	32	1037227	(10339948-) Harness, Main, Push [T3 - Emc] (Australian Model)	1
▲	33	1016040	(00000000-)● Fuse, 025a 032vdc	1
▲	34	1016041	(00000000-)● Fuse, 030a 032vdc	1
▽	32	1015832	(00000000-10339947) Harness, Main, Push [T3 - Na]	1
▲	33	1016040	(00000000-)● Fuse, 025a 032vdc	1
▲	34	1016041	(00000000-)● Fuse, 030a 032vdc	1
▽	35	1013644	(00000000-) Harness [Fast Option] (Fast Model)	1
▲	36	1016039	(00000000-)● Fuse, 007.5a 032vdc (Fast Model)	1
	37	02938	(00000000-) Washer, Lock, Int, 08, Ss	2

▽ ASSEMBLY

▲ INCLUDED IN ASSEMBLY

● RECOMMENDED STOCK ITEMS

COMPONENT PANEL GROUP, BRUSH ASSIST MODEL



COMPONENT PANEL GROUP, BRUSH ASSIST MODEL

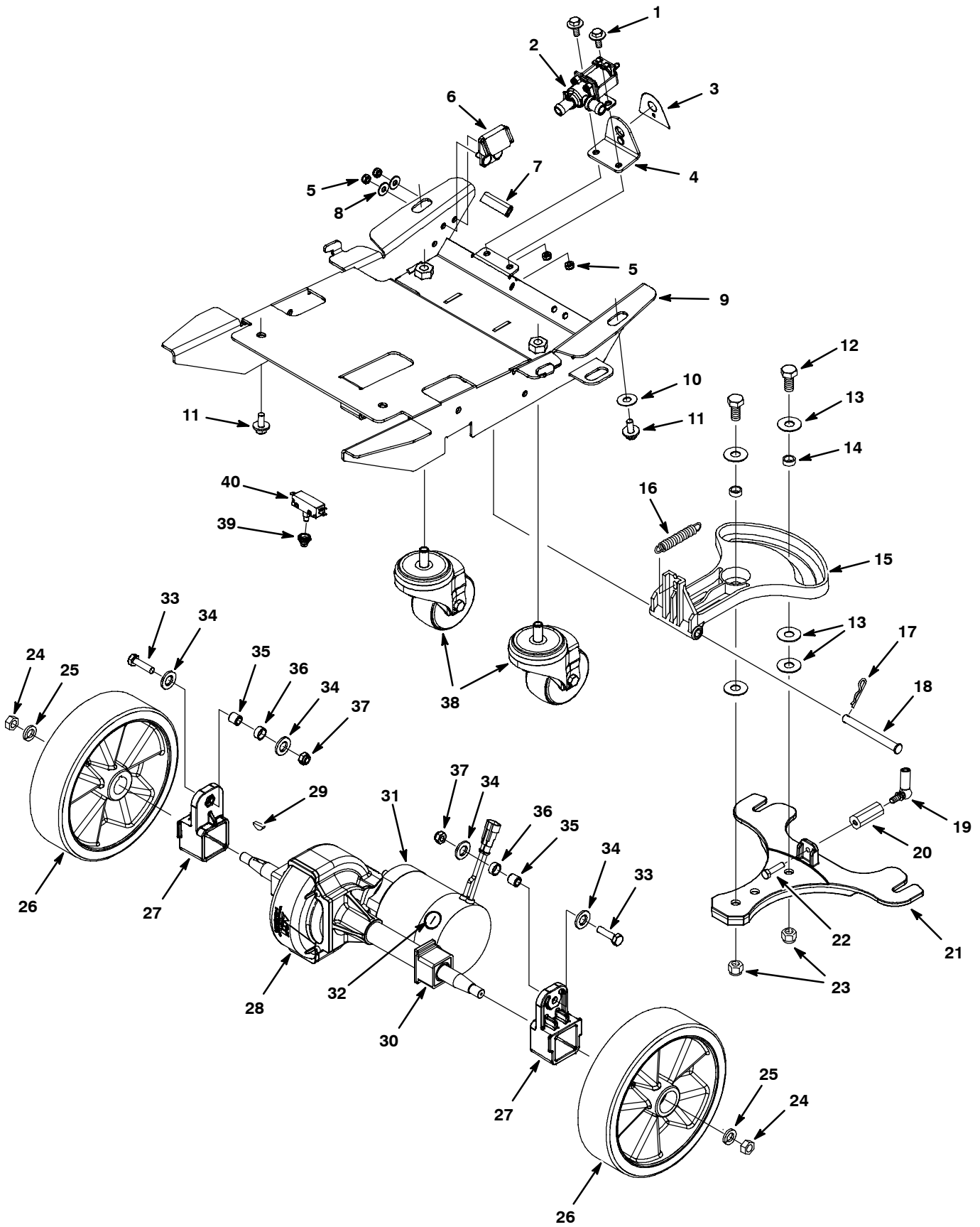
Ref.	Part No.	Serial Number	Description	Qty.
1	09739	(00000000-) Nut, Hex, Lock, M5 X 0.80, NI, Ss	5
2	01683	(00000000-) Washer, Flat, 0.22b 0.50d .05, Ss [#10]	7
3	1038490	(00000000-)● Relay, 24vdc, 100a, No [Trombetta]	1
4	579211	(00000000-) Nut, Hex, Lock, M3 X 0.50, Ss	4
5	1014572	(00000000-)● Gauge, Hourmeter, 14-48vdc, Lcd, Rt., 1hr	1
6	1035339	(10339948-)● Circuitbreaker, 37.0a	1
6	606780	(00000000-10339947)● Circuitbreaker, 30.0a, Resetable	1
7	02938	(00000000-) Washer, Lock, Int, #08, Ss	4
8	391403	(00000000-) Screw, Pan, M4 X 0.7 X 8, Ss	4
9	130787	(00000000-)● Switch, Rocker, Spdt (Fast Model)	1
10	06920	(00000000-) Screw, Pan, M3 X 0.50 X 10, 4.8	2
▽	11	1011402	(00000000-)● Switch, Key	1
▲	12	1017696	(00000000-)● Key Set, Replmt [F/ Keyswitch 1011402]	1
13	1015012	(00000000-) Label [Nfsi Certification]	1
14	1016628	(00000000-) Label, Lower, Na / AeJ [W/ Fast] (Fast Model)	1
15	1036158	(10339948-) Panel, Cntrl, Lower [37 Amp]	1
15	1012134	(00000000-10339947) Panel, Cntrl, Lower	1
16	1012216	(00000000-) Relay, 24vdc, 070a, Spst No, Plug-In (Fast Model)	1
17	01683	(00000000-) Washer, Flat, 0.22b 0.50d .05, Ss [#10] (Fast Model)	1
18	09739	(00000000-) Nut, Hex, Lock, M5 X 0.80, NI, Ss (Fast Model)	1
19	1012216	(00000000-)●	Relay, 24vdc, 070a, Spst No, Plug-In	1
20	41578	(00000000-) Washer, Flat, #06, Ss	6
21	1012850	(00000000-) Bracket Wldt, Lever, Sqge	1
22	1034731	(10309875-) Screw, Hex, M6 X 1.00 X 16, Ss, Sems	2
23	1012568	(00000000-)●	Switch, Snap, 10a, Short	1
24	08713	(00000000-) Nut, Hex, Lock, M8 X 1.25, NI, Ss	1
25	1015459	(00000000-) Spring, Lever, Sqge	1
26	1042062	(00000000-) Screw, Hex, M3 X 0.5 X 25, Ss	2
27	1013397	(00000000-) Washer, Flat, M13 X 30 X 0.8, Nyl	2
28	1014336	(00000000-)●	Sleeve, P/M, 8.40b 12.60d 14.5l, PI	1
29	1013329	(00000000-) Lever Wldt, Sqge	1
30	1016331	(00000000-) Washer, Flat, 0.34b 1.25d .11, Ss	1
31	09011	(00000000-) Screw, Hex, M8 X 1.25 X 30, Ss	1
32	08712	(00000000-) Nut, Hex, Lock, M6 X 1.00, Ss, NI	1
33	1016895	(00000000-)●	Cap, Handle, Sqge Lift	1
34	1012747	(00000000-)●	Balljoint, M06 X 1.0 Fem, M06 X 1.0 Mal	1
35	07785	(00000000-) Nut, Hex, Std, M6 X 1.00, A2, Ss	2
36	1013479	(00000000-) Cable, Glv 3.18mmd 0422l M6/ M6	1
37	02938	(00000000-) Washer, Lock, Int, 08, Ss	2

▽ ASSEMBLY

▲ INCLUDED IN ASSEMBLY

● RECOMMENDED STOCK ITEMS

WHEEL GROUP, DRIVE MODEL (S/N xxxxxxxx-)



WHEEL GROUP, DRIVE MODEL (S/N xxxxxxxx-)

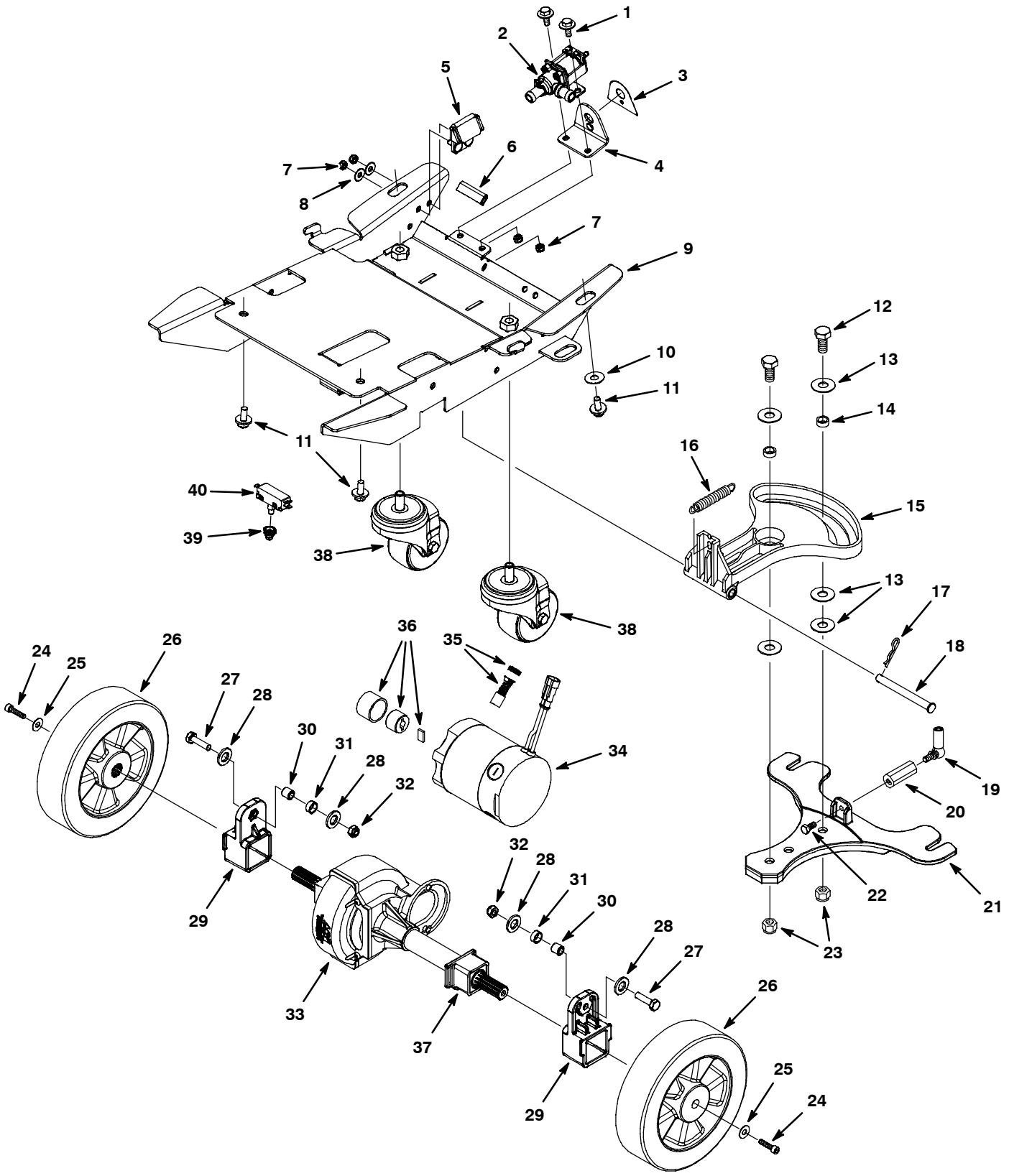
Ref.	Part No.	Serial Number	Description	Qty.	
1	1034731	(10309875-) Screw, Hex, M6 X 1.00 X 16, Ss, Sems	2	
2	1016595	(00000000-)● Valve, 1/4-20 [Liq Dispensing]	1	
3	1014156	(00000000-) Label, Opertnl, Lower, Soltn Flow	1	
4	1031714	(10309875-) Bracket, Mtg, Valve, Soltn [T3]	1	
5	08712	(00000000-) Nut, Hex, Lock, M6 X 1.0, Ss, NI	4	
6	1013946	(00000000-) Bracket, Locking, Pedal, Foot Ylw	1	
7	1034551	(10309875-) Trim, Plstc, Edge, .12 X .56 X 1.75	1	
8	01684	(00000000-) Washer, Flat, 0.25 Ss	2	
9	1023428	(10309875-) Frame Wldt, Mach, Blk	1	
10	1016331	(00000000-) Washer, Flat, 0.34b 1.25d .11, Ss	2	
11	1020341	(10309875-) Screw, Hex, M8 X 1.25 X 20, Ss, Sems	4	
12	12309	(10309875-) Screw, Hex, M12 X 1.75 X 30, Ss	2	
13	140045	(00000000-) Washer, Flat, 0.51b 1.25d .06, Ss	5	
14	1013662	(00000000-) Bushing, Sleeve, 12mm 16mm 6.5mml, Pm Yw	2	
15	1023389	(10309875-) Bracket, Sqge, Lift, Mold Blk, Nyl	1	
16	1008721	(10309875-) Spring, Extn, 0.75od 0.09wir 03.5l	1	
17	44906	(00000000-) Pin, Cotter, Hair, 0.69d .092 Wir	1	
18	1013610	(00000000-) Pin, Clevis, 10mmd X 100mml	1	
19	1012747	(00000000-)● Balljoint, M6 X 1.0 Fem, M6 X 1.0 Mal	1	
20	1002078	(10309875-) Spacer, 0.50hex X 1.25l, M6 Thread	1	
21	1026265	(10309875-) Bracket, Mtg, Sqge, Cast, Alm	1	
22	1034731	(xxxxxxx-) Screw, Hex, M6 X 1.00 X 16, Sems, Ss	1	
23	09741	(10309875-) Nut, Hex, Lock, M12 X 1.75, NI, Ss	2	
24	07788	(xxxxxxx-) Nut, Hex, Std, M12 X 1.75, Ss	2	
25	140024	(xxxxxxx-) Washer, Lock, Split, 0.50, Ss	2	
26	1039655	(xxxxxxx-)● Wheel, Scrbr, 198.00mm, W/ Taper [T3]	2	
27	1028292	(10309875-) Adapter, Mtg, Axle, Alm	2	
▽	28	1039475)● Transaxle, Ele, 24vdc, 112rpm, Pkrd,Dfma	1	
▲	1017782	(00000000-)● Coupling Kit, Transaxle, Replmt [11057]	1	
▲	29	1021167	(xxxxxxx-) Key, Woodruff, 5mm	2
▲	30	612880	(00000000-)● Sleeve, Transaxle, Replmt	2
▲▽	31	1019916	(00000000-)● Motor, Transaxle, 24vdc, Replmt	1
▲▲	32	614166	(00000000-)● Brush Kit, Carbon [Qty 4]	1
	33	09011	(10309875-) Screw, Hex, M8 X 1.25 X 30, Ss	2
	34	1013936	(10309875-) Washer, Flat, 0.51b 0.94d .10, Nyl	4
	35	222460	(10309875-) Sleeve, P/M, 0.31b 0.50d 0.5l [430ss]	2
	36	630188	(10309875-) Bearing, Journal, .50id X .25l	2
	37	08713	(10309875-) Nut, Hex, Lock, M8 X 1.25, NI, Ss	2
	38	1026345	(00000000-)● Caster, Swivel, 80mmd, M12 X 25 Clr PI	2
	39	1035711	(10309875-)● Boot, Switch, Hex Nut, .38-32 Thd	1
	40	606292	(10309875-)● Switch, Push, Actuator, 20a	1
	N/S	1019397	(00000000-)● Harness, Frame, Drive [T3 - Na]	1

▽ ASSEMBLY

▲ INCLUDED IN ASSEMBLY

● RECOMMENDED STOCK ITEMS

WHEEL GROUP, DRIVE MODEL (S/N 10309875-xxxxxxx)



WHEEL GROUP, DRIVE MODEL (S/N 10309875-xxxxxxx)

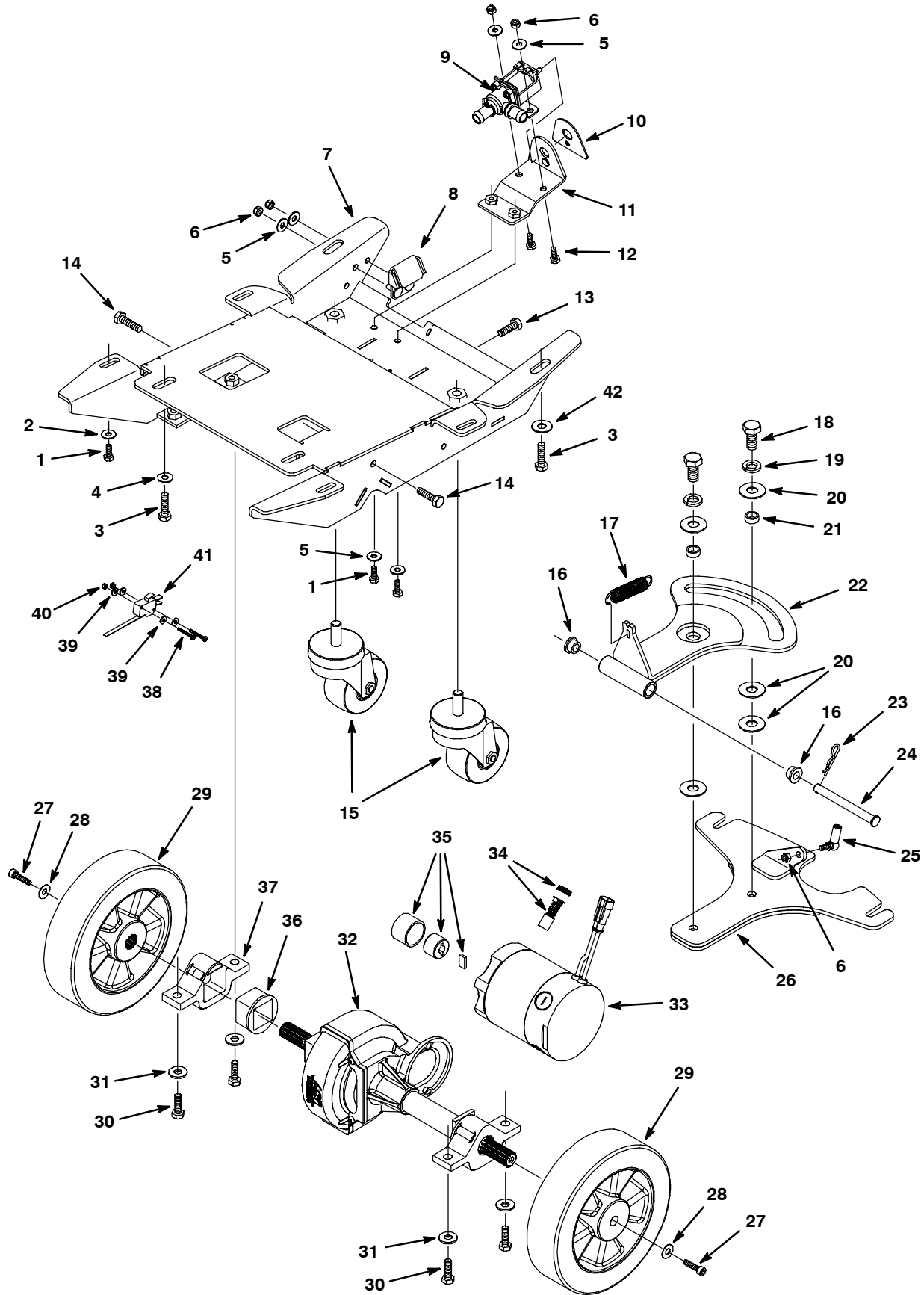
Ref.	Part No.	Serial Number	Description	Qty.	
1	1034731	(10309875-) Screw, Hex, M6 X 1.00 X 16, Ss, Sems	2	
2	1016595	(00000000-)● Valve, .25-20 [Liq Dispensing]	1	
3	1014156	(00000000-) Label, Opertnl, Lower, Soltn Flow	1	
4	1031714	(10309875-) Bracket, Mtg, Valve, Soltn [T3]	1	
5	1013946	(00000000-) Bracket, Locking, Pedal, Foot, Yel Pl	1	
6	1034551	(10309875-) Trim, Plstc, Edge, .12 X .56 X 1.75	1	
7	08712	(00000000-) Nut, Hex, Lock, M6 X 1.00, Ss, NI	4	
8	01684	(00000000-) Washer, Flat, 0.27b 0.69d .05, Ss	2	
9	1023428	(10309875-) Frame Wldt, Mach, Blk, [T3]	1	
10	1016331	(00000000-) Washer, Flat, 0.34b 1.25d .11, Ss	2	
11	1020341	(10309875-) Screw, Hex, M8 X 1.25 X 20, Ss, Sems Sq	4	
12	12309	(10309875-) Screw, Hex, M12 X 1.75 X 30, Ss	2	
13	140045	(00000000-) Washer, Flat, 0.51b 1.25d .06, Ss	5	
14	1013662	(00000000-) Bushing, Sleeve, 12mmb 16mmd 7mml,Pm Yel	2	
15	1023389	(10309875-) Bracket, Sqge, Lift, Mold Blk, Nyl [T3]	1	
16	1008721	(10309875-) Spring, Extn, 0.75od 0.09wir 03.5l	1	
17	44906	(00000000-) Pin, Cotter, Hair, 0.69d .092 Wir	1	
18	1013610	(00000000-) Pin, Clevis, 10mmd X 100mml	1	
19	1012747	(00000000-)● Balljoint, M06 X 1.0 Fem, M06 X 1.0 Mal	1	
20	1002078	(10309875-) Spacer, .50x X 1.25l, M6 Thread	1	
21	1026265	(10309875-) Bracket, Mtg, Sqge, [T3] Cast, Alm	1	
1034731	11329	(10309875-) Screw, Hex, M6 X 1.0 X 16, Ss, NI	1	
23	09741	(10309875-) Nut, Hex, Lock, M12 X 1.75, NI, Ss	2	
24	1015869	(00000000-xxxxxxx) Screw, Soc, M6 X 1.0 X 25, Ss, NI	2	
25	200304017	(00000000-xxxxxxx) Washer, Flat, M6.4b X 13d X 1.6, Pl	2	
26	1015079	(00000000-xxxxxxx)● Wheel, Scrbr, 198.00mm [W/ Spline]	2	
27	09011	(10309875-) Screw, Hex, M8 X 1.25 X 30, Ss	2	
28	1013936	(10309875-) Washer, Flat, 0.51b 0.94d .10, Nyl	4	
29	1028292	(10309875-) Adapter, Mtg, Axle, Alm [T3]	2	
30	222460	(10309875-) Sleeve, P/M, 0.31b 0.50d 0.5l [430ss]	2	
31	630188	(10309875-) Bearing, Journal, .50id X .25l	2	
32	08713	(10309875-) Nut, Hex, Lock, M8 X 1.25, NI, Ss	2	
▽	33	1028379	(10309875-xxxxxxx)● Transaxle, Ele, 24vdc, 112rpm, Pkrd,Dfma	1
▲▽	34	1019916	(00000000-)● Motor, Transaxle, 24vdc, Replmt	1
▲▲	35	614166	(00000000-)● Brush Kit, Carbon [Qty 4]	1
▲	36	1017782	(00000000-)● Coupling Kit, Transaxle, Replmt [11057]	1
▲	37	612880	(00000000-)● Sleeve, Transaxle, Replmt	2
	38	1026345	(00000000-)● Caster, Swivel, 80mmd, M12 X 25, Clr Pl	2
	39	1035711	(10309875-)● Boot, Switch, Hex Nut, .38-32 Thd	1
	40	606292	(10309875-)● Switch, Push, Actuator, 20a	1
N/S	1019397	(00000000-) Harness, Frame, Drive [T3 - Na]	1	

▽ ASSEMBLY

▲ INCLUDED IN ASSEMBLY

● RECOMMENDED STOCK ITEMS

WHEEL GROUP, DRIVE MODEL (S/N 0000000-10309874)



WHEEL GROUP, DRIVE MODEL (S/N 0000000-10309874)

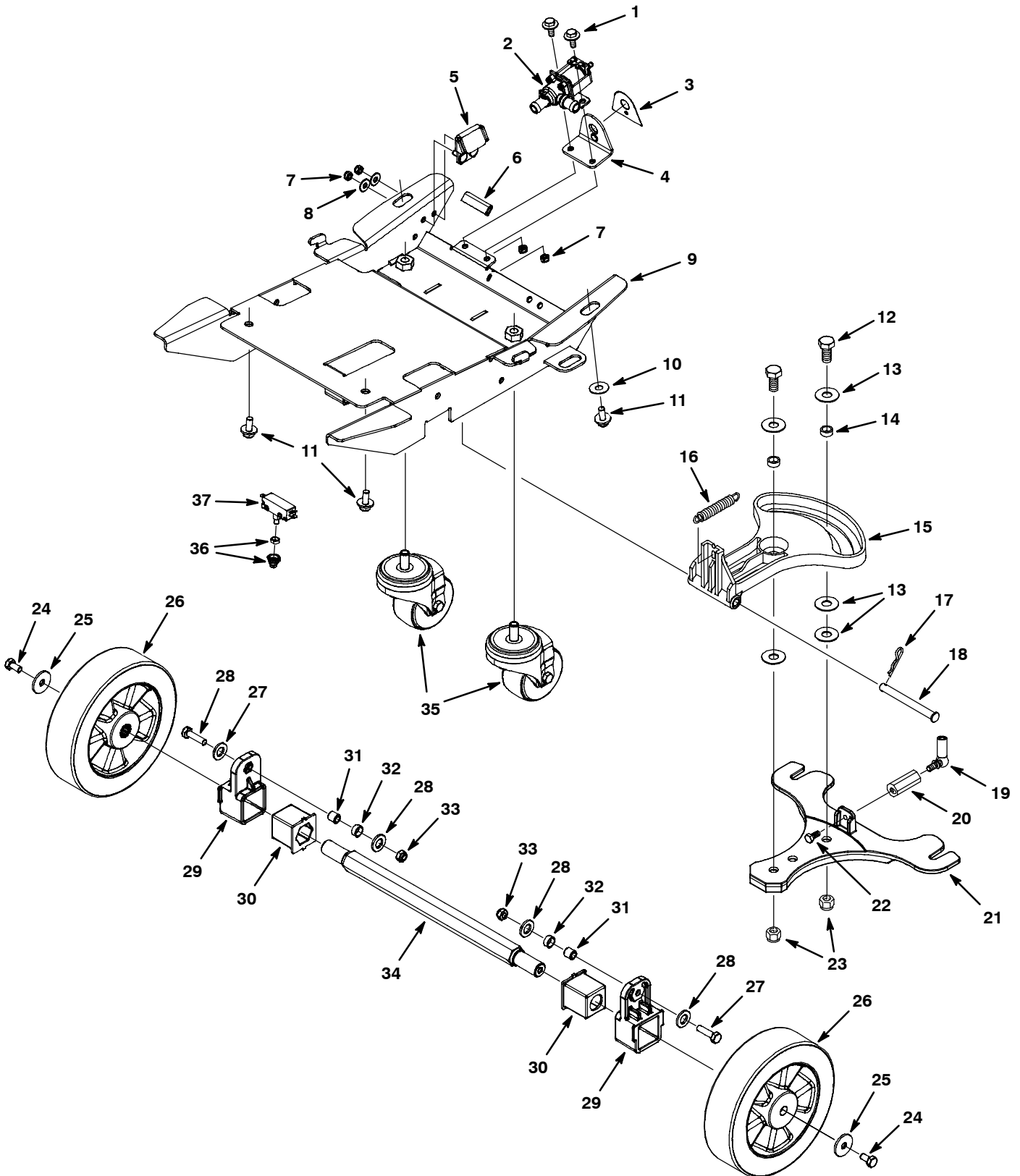
Ref.	Part No.	Serial Number	Description	Qty.	
1	11329	(0000000-10309874)	Screw, Hex, M6 X 1.0 X 16, Ss, NI	6	
2	01684	(0000000-10309874)	Washer, Flat, 0.27b 0.69d .05, Ss	4	
3	49826	(0000000-10309874)	Screw, Hex, M8 X 1.25 X 16, Ss, NI	4	
4	01685	(0000000-10309874)	Washer, Flat, 0.38b 0.88d .08, Ss	2	
5	01684	(0000000-)	Washer, Flat, 0.27b 0.69d .05, Ss	6	
6	08712	(0000000-)	Nut, Hex, Lock, M6 X 1.00, Ss, NI	5	
7	1011258	(0000000-10309874)	Frame Wldt, Mach [T3]	1	
8	1013946	(0000000-)	Bracket, Locking, Pedal, Foot, Yel PI	1	
9	1016595	(0000000-)	● Valve, .25-20 [Liq Dispensing]	1	
10	1014156	(0000000-)	Label, Opertnl, Lower, Soltn Flow	1	
11	1012108	(0000000-10309874)	Bracket, Mtg, Valve, Soltn	1	
12	15678	(0000000-10309874)	Screw, Hex, M6 X 1.0 X 16, Ss	2	
13	1015852	(0000000-10309874)	Screw, Hex, M8 X 1.25 X 25, Ss, NI, FI	1	
14	09011	(0000000-10309874)	Screw, Hex, M8 X 1.25 X 30, Ss	2	
15	1026345	(0000000-)	● Caster, Swivel, 80mmd, M12 X 25, Clr PI	2	
16	1013612	(0000000-10309874)	Bushing, Flng, 10mmb 20mmd 10mml, Brz	2	
17	1014131	(0000000-10309874)	Spring, Extn, 0.62od 0.06wir 03.0l, PI	1	
18	09745	(0000000-10309874)	Screw, Hex, M12 X 1.75 X 25, Ss	2	
19	140024	(0000000-10309874)	Washer, Lock, Split, 0.50, Ss	2	
20	140045	(0000000-)	Washer, Flat, 0.51b 1.25d .06, Ss	5	
21	1013662	(0000000-)	Bushing, Sleeve, 12mmb 16mmd 7mml, Pm Yel	2	
22	1013428	(0000000-10309874)	Bracket Wldt, Sqge, Lift, Front	1	
23	44906	(0000000-)	Pin, Cotter, Hair, 0.69d .092 Wir	1	
24	1013610	(0000000-)	Pin, Clevis, 10mmd X 100mml	1	
25	1012747	(0000000-)	● Balljoint, M06 X 1.0 Fem, M06 X 1.0 Mal	1	
26	1013547	(0000000-10309874)	Bracket Wldt, Sqge, Pivot, Rear	1	
27	1015869	(0000000-xxxxxxx)	Screw, Soc, M6 X 1.0 X 25, Ss, NI	2	
28	200304017	(0000000-xxxxxxx)	Washer, Flat, M6.4b X 13d X 1.6, PI	2	
29	1015079	(0000000-xxxxxxx)	● Wheel, Scrbr, 198.00mm [W/ Spline]	2	
30	1016399	(0000000-10309874)	Screw, Hex, M8 X 1.25 X 30, Ss, NI	4	
31	01685	(0000000-10309874)	Washer, Flat, 0.38b 0.88d .08, Ss	4	
▽	1018082	(0000000-10309874)	● Transaxle, Ele, 24vdc, 112rpm [Packard]	1	
▲	32	1017781	(0000000-10309874)	● Differential, Transaxle, Replmt	1
▲	33	1019916	(0000000-)	● Motor, Transaxle, 24vdc, Replmt	1
▲	34	614166	(0000000-)	● Brush Kit, Carbon [Qty 4]	1
▲	35	1017782	(0000000-)	● Coupling Kit, Transaxle, Replmt [11057]	1
▲	36	612880	(0000000-)	● Sleeve, Transaxle, Replmt	2
▲	37	1017768	(0000000-10309874)	● Support, Transaxle, Replmt	2
	38	06922	(0000000-10309874)	Screw, Pan, M3 X 0.50 X 20, 4.8	2
	39	41578	(0000000-10309874)	Washer, Flat, #06, Ss	4
	40	579211	(0000000-10309874)	Nut, Hex, Lock, M3 X 0.50, Ss	2
	41	1011208	(0000000-10309874)	● Switch, Snap, 10a, .25hp	1
	42	1016331	(0000000-)	Washer, Flat, 0.34b 1.25d .11, Ss	2
	N/S	1019397	(0000000-)	Harness, Frame, Drive [T3 - Na]	1

▽ ASSEMBLY

▲ INCLUDED IN ASSEMBLY

● RECOMMENDED STOCK ITEMS

WHEEL GROUP, BRUSH ASSIST MODEL (S/N 10309875-)

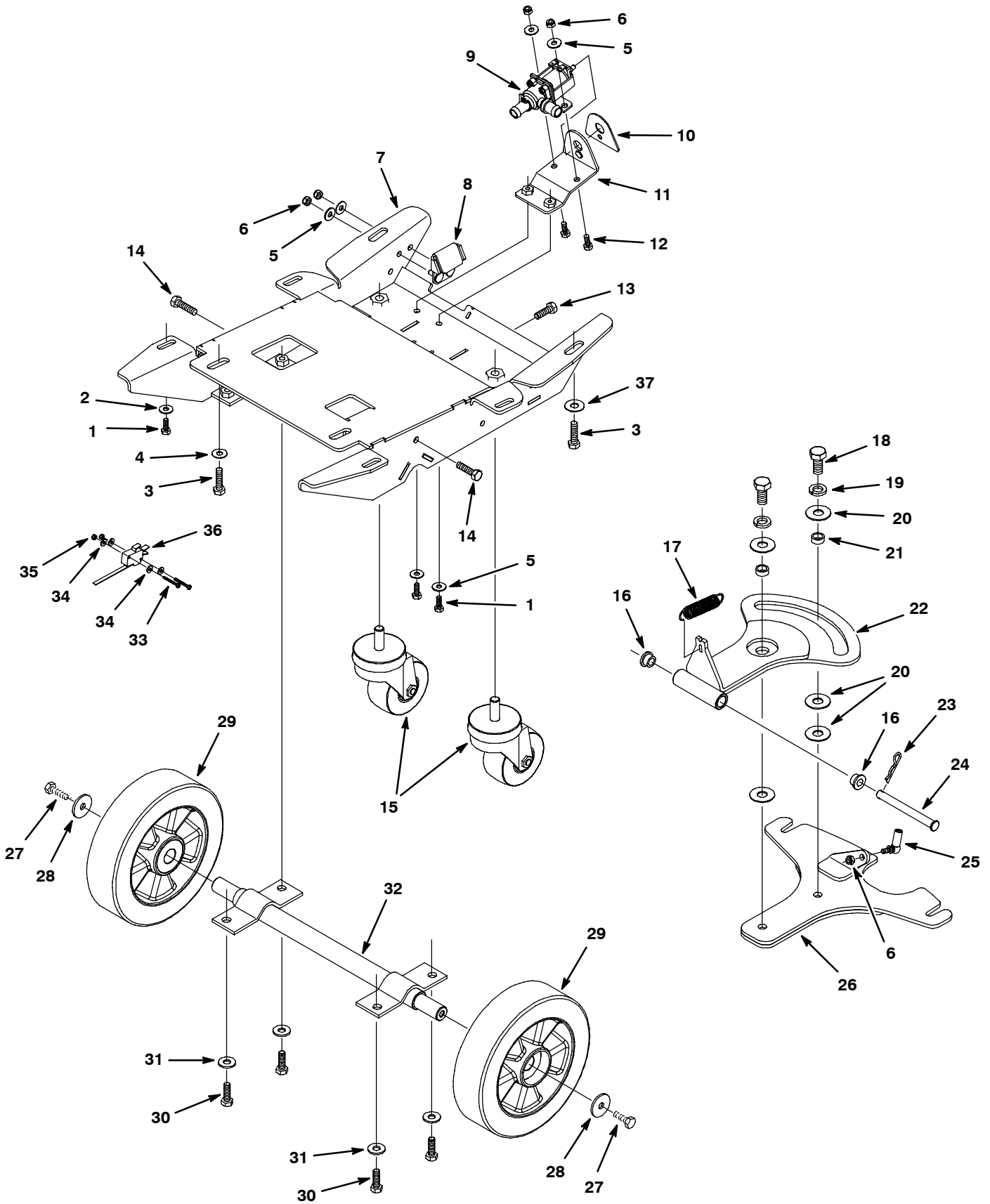


WHEEL GROUP, BRUSH ASSIST MODEL (S/N 10309875-)

Ref.	Part No.	Serial Number	Description	Qty.
1	1034731	(10309875-) Screw, Hex, M6 X 1.00 X 16, Ss, Sems	2
2	1016595	(00000000-)● Valve, .25-20 [Liq Dispensing]	1
3	1014156	(00000000-) Label, Opertnl, Lower, Soltn Flow	1
4	1012108	(10309875-) Bracket, Mtg, Valve, Soltn	1
5	1013946	(10309875-) Bracket, Locking, Pedal, Foot, Yel Pl	1
6	1034551	(10309875-) Trim, Plstc, Edge, .12 X .56 X 1.75	1
7	08712	(00000000-) Nut, Hex, Lock, M6 X 1.00, Ss, NI	4
8	01684	(00000000-) Washer, Flat, 0.27b 0.69d .05, Ss	2
9	1023428	(10309875-) Frame Wldt, Mach, Blk, [T3]	1
10	1016331	(00000000-) Washer, Flat, 0.34b 1.25d .11, Ss	2
11	1020341	(10309875-) Screw, Hex, M8 X 1.25 X 20, Ss, Sems Sq	4
12	12309	(10309875-) Screw, Hex, M12 X 1.75 X 30, Ss	2
13	140045	(00000000-) Washer, Flat, 0.51b 1.25d .06, Ss	5
14	1013662	(00000000-) Bushing, Sleeve, 12mmb 16mmd 7mml,Pm Yel	2
15	1023389	(10309875-) Bracket, Sqge, Lift, Mold Blk, Nyl [T3]	1
16	1008721	(10309875-) Spring, Extn, 0.75od 0.09wir 03.5l	1
17	44906	(00000000-) Pin, Cotter, Hair, 0.69d .092 Wir	1
18	1013610	(00000000-) Pin, Clevis, 10mmd X 100mml	1
19	1012747	(00000000-)● Balljoint, M06 X 1.0 Fem, M06 X 1.0 Mal	1
20	1002078	(10309875-) Spacer, .50x X 1.25l, M6 Thread	1
21	1026265	(10309875-) Bracket, Mtg, Sqge, [T3] Cast, Alm	1
22	11329	(10309875-) Screw, Hex, M6 X 1.0 X 16, Ss, NI	1
23	09741	(10309875-) Nut, Hex, Lock, M12 X 1.75, NI, Ss	2
24	1020341	(00000000-) Screw, Hex, M8 X 1.25 X 20, Ss, Sems	2
25	1016331	(00000000-) Washer, Flat, 0.34b 1.25d .11, Ss	2
26	1013248	(00000000-)● Wheel, Scrbr, 198.00mm, W/ Brg	2
27	09011	(10309875-) Screw, Hex, M8 X 1.25 X 30, Ss	2
28	1013936	(10309875-) Washer, Flat, 0.51b 0.94d .10, Nyl	4
29	1028292	(10309875-) Adapter, Mtg, Axle, Alm [T3]	1
30	1028381	(10309875-)● Grommet, Axle [Tpu, T3 Push]	1
31	222460	(10309875-) Sleeve, P/M, 0.31b 0.50d 0.5l [430ss]	2
32	630188	(10309875-) Bearing, Journal, .50id X .25l	2
33	08713	(10309875-) Nut, Hex, Lock, M8 X 1.25, NI, Ss	2
34	1028382	(10309875-)● Axle, Wheel, Hex, Clr Zn [T3 Push]	1
35	1026345	(00000000-)● Caster, Swivel, 80mmd, M12 X 25, Clr Pl	2
36	1035711	(10309875-)● Boot, Switch, Hex Nut, .38-32 Thd	1
37	606292	(10309875-)● Switch, Push, Actuator, 20a	1

● RECOMMENDED STOCK ITEMS

WHEEL GROUP, BRUSH ASSIST MODEL (S/N 0000000-10309874)

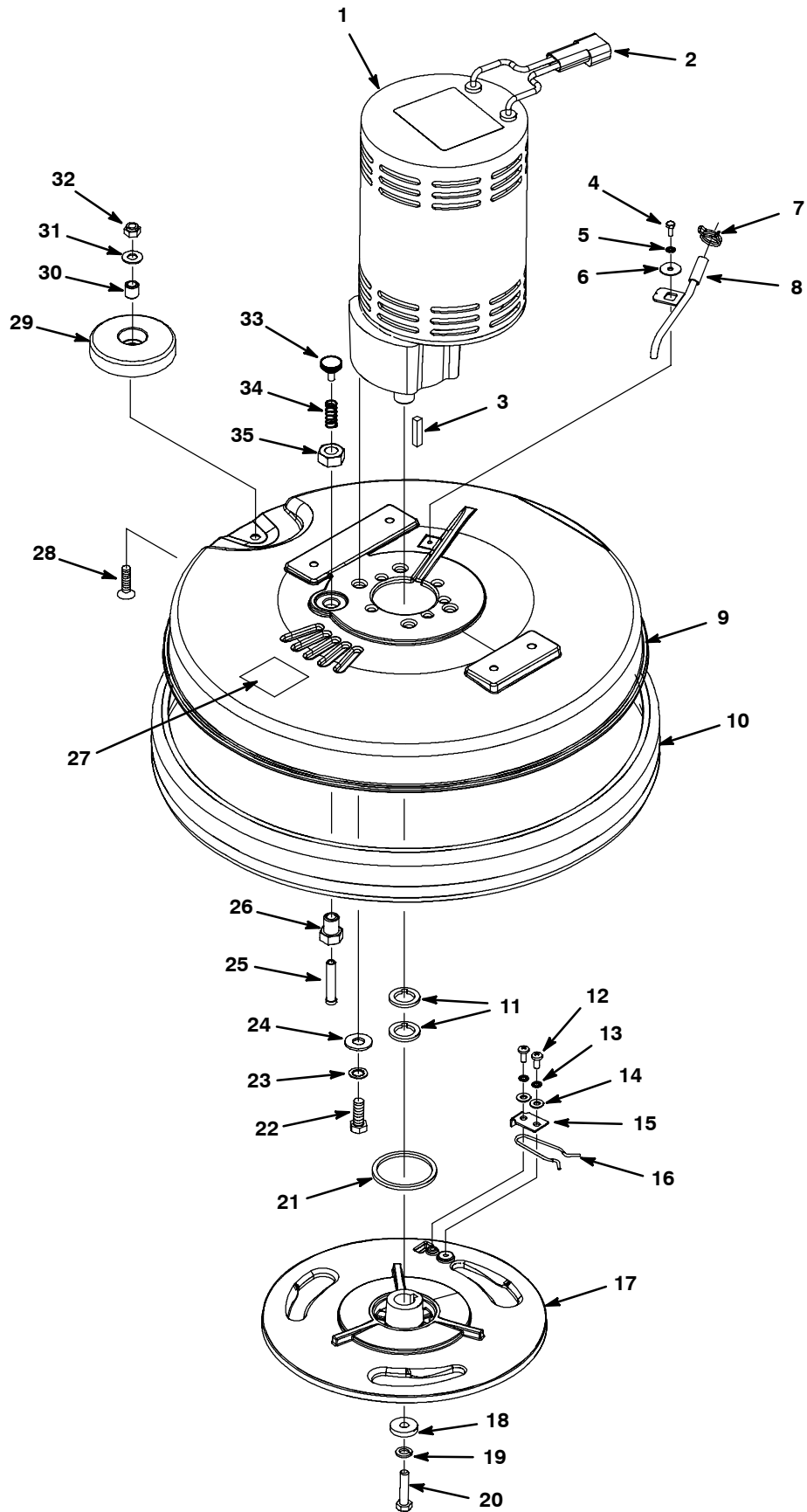


WHEEL GROUP, BRUSH ASSIST MODEL (S/N 0000000-10309874)

Ref.	Part No.	Serial Number	Description	Qty.
1	11329	(00000000-10309874)	Screw, Hex, M6 X 1.0 X 16, Ss, NI	6
2	01684	(00000000-10309874)	Washer, Flat, 0.27b 0.69d .05, Ss	4
3	49826	(00000000-10309874)	Screw, Hex, M8 X 1.25 X 16, Ss, NI	4
4	01685	(00000000-10309874)	Washer, Flat, 0.38b 0.88d .08, Ss	2
5	01684	(00000000-)	Washer, Flat, 0.27b 0.69d .05, Ss	6
6	08712	(00000000-)	Nut, Hex, Lock, M6 X 1.00, Ss, NI	5
7	1011258	(00000000-10309874)	Frame Wldt, Mach [T3]	1
8	1013946	(00000000-10309874)	Bracket, Locking, Pedal, Foot, Yel PI	1
9	1016595	(00000000-)	● Valve, .25-20 [Liq Dispensing]	1
10	1014156	(00000000-)	Label, Opertnl, Lower, Soltn Flow	1
11	1012108	(00000000-10309874)	Bracket, Mtg, Valve, Soltn	1
12	15678	(00000000-10309874)	Screw, Hex, M6 X 1.0 X 16, Ss	2
13	1015852	(00000000-10309874)	Screw, Hex, M8 X 1.25 X 25, Ss, NI, FI	1
14	09011	(00000000-10309874)	Screw, Hex, M8 X 1.25 X 30, Ss	2
15	1026345	(00000000-)	● Caster, Swivel, 80mmd, M12 X 25, Clr PI	2
16	1013612	(00000000-10309874)	Bushing, Flng, 10mmb 20mmd 10mml, Brz	2
17	1014131	(00000000-10309874)	Spring, Extn, 0.62od 0.06wir 03.0l, PI	1
18	09745	(00000000-10309874)	Screw, Hex, M12 X 1.75 X 25, Ss	2
19	140024	(00000000-10309874)	Washer, Lock, Split, 0.50, Ss	2
20	140045	(00000000-)	Washer, Flat, 0.51b 1.25d .06, Ss	5
21	1013662	(00000000-)	Bushing, Sleeve, 12mmb 16mmd 7mml, Pm Yel	2
22	1013428	(00000000-10309874)	Bracket Wldt, Sqge, Lift, Front	1
23	44906	(00000000-)	Pin, Cotter, Hair, 0.69d .092 Wir	1
24	1013610	(00000000-)	Pin, Clevis, 10mmd X 100mml	1
25	1012747	(00000000-)	● Balljoint, M06 X 1.0 Fem, M06 X 1.0 Mal	1
26	1013547	(00000000-10309874)	Bracket Wldt, Sqge, Pivot, Rear	1
27	49826	(00000000-)	Screw, Hex, M8 X 1.25 X 16, Ss, NI	2
28	1016331	(00000000-)	Washer, Flat, 0.34b 1.25d .11, Ss	2
29	1013248	(00000000-)	● Wheel, Scrbr, 198.00mm, W/ Brg	2
30	12273	(00000000-10309874)	Screw, Hex, M8 X 1.25 X 20, Ss, NI	4
31	01685	(00000000-10309874)	Washer, Flat, 0.38b 0.88d .08, Ss	4
32	1013219	(00000000-10309874)	● Axle Wldt, Wheel, Blk [T3]	1
33	06922	(00000000-10309874)	Screw, Pan, M3 X 0.50 X 20, 4.8	2
34	41578	(00000000-10309874)	Washer, Flat, #06, Ss	4
35	579211	(00000000-10309874)	Nut, Hex, Lock, M3 X 0.50, Ss	2
36	1011208	(00000000-10309874)	● Switch, Snap, 10a, .25hp	1
37	1016331	(00000000-)	Washer, Flat, 0.34b 1.25d .11, Ss	2

● RECOMMENDED STOCK ITEMS

SCRUB HEAD GROUP, 43 cm (17 in) MODEL (S/N 10339948-)



SCRUB HEAD GROUP, 43 cm (17 in) MODEL (S/N 10339948-)

Ref.	Part No.	Serial Number	Description	Qty.
▽	1	1028301	(10339948-)● Motor, Ele, 24vdc 0200rpm 1.00hp Gear	1
▲▽		1038269	(10339948-)● Brush, Card, Assy, Imperial, 1.00hp	1
▲▲		190970	(00000000-)● Vr, Brush, Carbon, Motor, Ele	4
▲		1038268	(10339948-)● Gearbox, Motor, Imperial, 1.00hp	1
▲		607798	(10339948-)● Terminal Mal Brush Motor Leads	2
▲	2	607797	(10339948-)● Connector, Mal [Packard]	1
▲	3	00930	(10339948-)● Key, Sq, 0.25 X 0.25, 1.50l	1
	4	1020234	(00000000-) Screw, Hex, M4 X 0.7 X 10, Ss	1
	5	02938	(00000000-) Washer, Lock, Int, 08, Ss	1
	6	1009168	(00000000-) Washer, Flat, 0.17b 0.75d .04, Ss	1
	7	607775	(00000000-) Clamp, Hose, Wir, .63 - .66, Blk	1
	8	1016155	(00000000-) Tube Wldt, Supply, Water	1
	9	1037375	(10339948-) Housing, Head, 43cm, Mach	1
	10	1011368	(00000000-)● Bumper, Head, 43cm, W/ Bristle Skirt	1
	11	621471	(00000000-) Spacer, 0.75b 1.12d 0.12l,	2
	12	09200	(00000000-) Screw, Pan, M5 X 0.8 X 12, Ss	2
	13	07514	(00000000-) Washer, Lock, Int, #10, Ss	2
	14	01683	(00000000-) Washer, Flat, 0.22b 0.50d .05, Ss [#10]	2
	15	1011201	(00000000-)● Plate, Clamp, Brush	1
	16	1013188	(00000000-)● Clip, Spring, Drive Plate Yel Pl	1
	17	1036525	(10339948-)● Driver, Pad, 3-Lug, Alm, 19.0b[90lbs-Dp]	1
	18	1028796	(10339948-) Washer, Flat, 0.33b 1.00d .18	1
	19	140015	(10339948-) Washer, Lock, Split, 0.31, Ss	1
	20	1035038	(10339948-) Screw, Hex, .31-18 X 1.38, Ss, NI	1
	21	1016426	(00000000-) Ring, Water, Containment	1
	22	69225	(00000000-) Screw, Hex, .38-16 X 1.00, Ss	4
	23	43953	(00000000-) Washer, Lock, Int, 0.38 Ss	4
	24	01686	(00000000-) Washer, Flat, 0.44b 1.00 .08, Ss	4
	25	1037399	(10339948-) Pin, Stop, 8.3mmd X 42mml	1
	26	605825	(10339948-) Screw, Stop, Head Pin	1
	27	578769	(00000000-) Label, Moving Parts	1
	28	79506	(00000000-) Screw, Flt, M8 X 1.25 X 30, Ss	1
	29	1010560	(00000000-)● Wheel, Bmpr, 80d X 25w, Non-Marking	1
	30	222460	(00000000-) Sleeve, P/M, 0.31b 0.50d 0.5l	1
	31	140027	(00000000-) Washer, Flat, 0.35b 0.75d .04, Ss	1
	32	08713	(00000000-) Nut, Hex, Lock, M8 X 1.25, NI, Ss	1
	33	603012	(10339948-)● Knob, Rnd, 19.0d M6 X 12, Stud, Plstc,PI	1
	34	1037400	(10339948-) Spring, Cmpr, .42od, .04wir, 1.0l, Pl,Mw	1
	35	1037470	(10339948-) Nut, Hex, M14 X 2.00, Ss	1

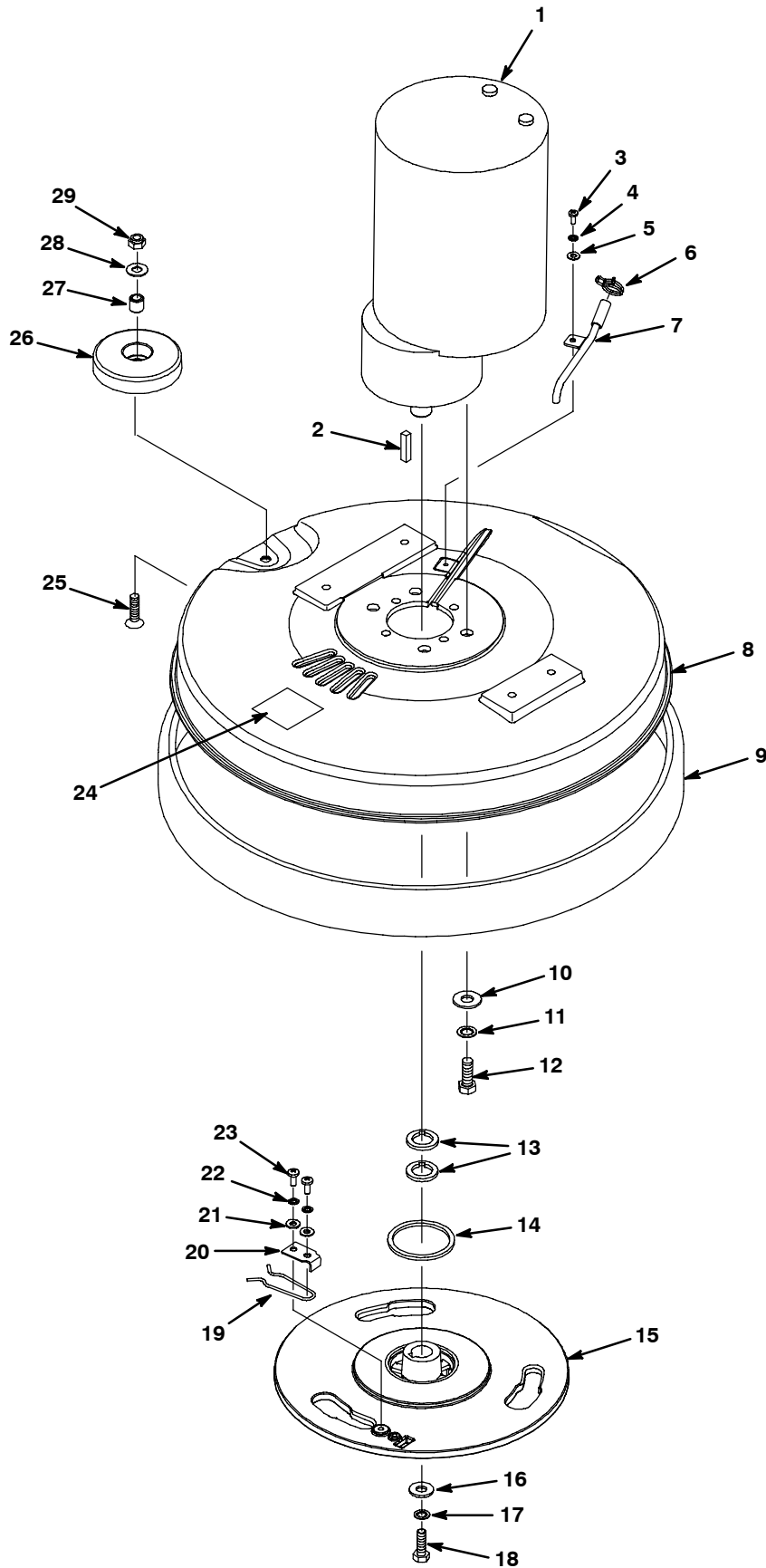
▽ ASSEMBLY

▲ INCLUDED IN ASSEMBLY

● RECOMMENDED STOCK ITEMS

STANDARD PARTS

SCRUB HEAD GROUP, 43 cm (17 in) MODEL (S/N 0000000-10339947)



SCRUB HEAD GROUP, 43 cm (17 in) MODEL (S/N 0000000-10339947)

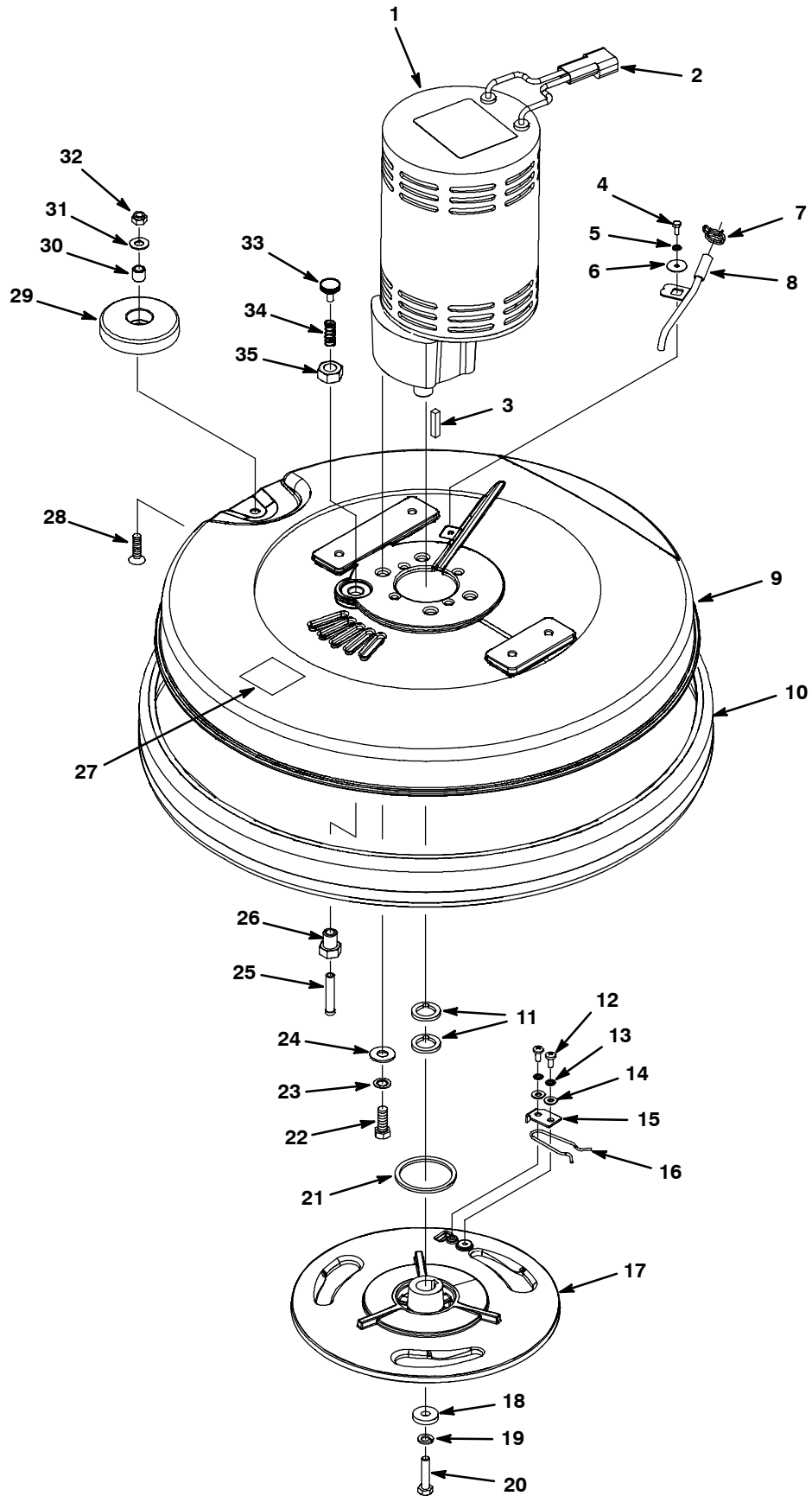
Ref.	Part No.	Serial Number	Description	Qty.
▽	1	610263	(00000000-10339947)● Motor, Ele, 24vdc 0200rpm 0.75hp 33.0a	1
▲		190970	(00000000-)● Brush, Carbon, Motor, Ele	4
▲		611024	(00000000-10339947)● Ring, Mtg, Brush	1
▲		374005	(00000000-10339947)● Vr, Gearbox, Motor	1
▲	2	630454	(00000000-10339947)● Key, Sq, 0.25 X 0.25, 1.13l	1
	3	1020234	(00000000-) Screw, Hex, M4 X 0.7 X 10, Ss	1
	4	02938	(00000000-) Washer, Lock, Int, #08, Ss	1
	5	1009168	(00000000-) Washer, Flat, 0.17b 0.75d .04, Ss	1
	6	607775	(00000000-) Clamp, Hose, Wir, .63 - .66, Blk	1
	7	1016155	(00000000-) Tube Wldt, Supply, Water	1
	8	1011305	(00000000-10339947) Housing, Head, 43cm, Mach Alm Casting	1
	9	1011368	(00000000-)● Bumper, Head, 43cm, W/ Bristle Skirt	1
	10	01686	(00000000-) Washer, Flat, 0.44b 1.00d .08, Ss	4
	11	43953	(00000000-) Washer, Lock, Int, 0.38, Ss	4
	12	69225	(00000000-) Screw, Hex, .38-16 X 1.00, Ss	4
	13	621471	(00000000-) Spacer, 0.75b 1.12d 0.12l,	2
	14	1016426	(00000000-) Ring, Water, Containment	1
	15	1015878	(00000000-10339947) Driver, Pad, 3-Lug, Alm, 19.0b [T3]	1
	16	1017218	(00000000-10339947) Washer, Flat, 0.32b 1.00d .12, Ss	1
	17	43952	(00000000-10339947) Washer, Lock, Int, 0.31, Ss	1
	18	140221	(00000000-10339947) Screw, Hex, .31-18 X 1.25, Ss	1
	19	1013188	(00000000-)● Clip, Spring, Drive Plate [T3], Clr Zn	1
	20	1011201	(00000000-)● Plate, Clamp, Brush	1
	21	01683	(00000000-) Washer, Flat, 0.22b 0.50d .05, Ss [#10]	2
	22	07514	(00000000-) Washer, Lock, Int, #10, Ss	2
	23	09200	(00000000-) Screw, Pan, M5 X 0.8 X 12, Ss	2
	24	578769	(00000000-) Label, Moving Parts	1
	25	79506	(00000000-) Screw, Flt, M8 X 1.25 X 30, Ss	1
	26	1010560	(00000000-)● Wheel, Bmpr, 80d X 25w, Non-Marking	1
	27	222460	(00000000-) Sleeve, P/M, 0.31b 0.50d 0.5l [430ss]	1
	28	140027	(00000000-) Washer, Flat, 0.35b 0.75d .04, Ss	1
	29	08713	(00000000-) Nut, Hex, Lock, M8 X 1.25, NI, Ss	1

▽ ASSEMBLY

▲ INCLUDED IN ASSEMBLY

● RECOMMENDED STOCK ITEMS

SCRUB HEAD GROUP, 50 cm (20 in) MODEL (S/N 10339948-)



SCRUB HEAD GROUP, 50 cm (20 in) MODEL (S/N 10339948-)

Ref.	Part No.	Serial Number	Description	Qty.
▽	1	1028301	(10339948-)● Motor, Ele, 24vdc 0200rpm 1.00hp Gear	1
▲▽		1038269	(10339948-)● Brush, Card, Assy, Imperial, 1.00hp	1
▲▲		190970	(00000000-)● Vr, Brush, Carbon, Motor, Ele	4
▲		1038268	(10339948-)● Gearbox, Motor, Imperial, 1.00hp	1
▲		607798	(10339948-)● Terminal Mal Brush Motor Leads	2
▲	2	607797	(10339948-)● Connector, Mal [Packard]	1
▲	3	00930	(10339948-)● Key, Sq, 0.25 X 0.25, 1.50l	1
	4	1020234	(00000000-) Screw, Hex, M4 X 0.7 X 10, Ss	1
	5	02938	(00000000-) Washer, Lock, Int, 08, Ss	1
	6	1009168	(00000000-) Washer, Flat, 0.17b 0.75d .04, Ss	1
	7	607775	(00000000-) Clamp, Hose, Wir, .63 - .66, Blk	1
	8	1016155	(00000000-) Tube Wldt, Supply, Water	1
	9	1036813	(10339948-) Housing, Head, 50cm, Die Cstg	1
	10	1011316	(00000000-)● Bumper, Head, W/ Bristle Skirt	1
	11	621471	(00000000-) Spacer, 0.75b 1.12d 0.12l	2
	12	09200	(00000000-) Screw, Pan, M5 X 0.8 X 12, Ss	2
	13	07514	(00000000-) Washer, Lock, Int, #10, Ss	2
	14	01683	(00000000-) Washer, Flat, 0.22b 0.50d .05, Ss [#10]	2
	15	1011201	(00000000-)● Plate, Clamp, Brush	1
	16	1013188	(00000000-)● Clip, Spring, Drive Plate Yel Pl	1
	17	1036525	(10339948-)● Driver, Pad, 3-Lug, Alm, 19.0b[90lbs-Dp]	1
	18	1028796	(10339948-) Washer, Flat, 0.33b 1.00d .18	1
	19	140015	(10339948-) Washer, Lock, Split, 0.31, Ss	1
	20	1035038	(10339948-) Screw, Hex, .31-18 X 1.38, Ss, NI	1
	21	1016426	(00000000-) Ring, Water, Containment	1
	22	69225	(00000000-) Screw, Hex, .38-16 X 1.00, Ss	4
	23	43953	(00000000-) Washer, Lock, Int, 0.38 Ss	4
	24	01686	(00000000-) Washer, Flat, 0.44b 1.00 .08, Ss	4
	25	1037399	(10339948-) Pin, Stop, 8.3mmd X 42mml	1
	26	605825	(10339948-) Screw, Stop, Head Pin	1
	27	578769	(00000000-) Label, Moving Parts	1
	28	79506	(00000000-) Screw, Flt, M8 X 1.25 X 30, Ss	1
	29	1010560	(00000000-)● Wheel, Bmpr, 80d X 25w, Non-Marking	1
	30	222460	(00000000-) Sleeve, P/M, 0.31b 0.50d 0.5l	1
	31	140027	(00000000-) Washer, Flat, 0.35b 0.75d .04, Ss	1
	32	08713	(00000000-) Nut, Hex, Lock, M8 X 1.25, NI, Ss	1
	33	603012	(10339948-)● Knob, Rnd, 19.0d M6 X 12, Stud, Plstc,PI	1
	34	1037400	(10339948-) Spring, Cmpr, .42od, .04wir, 1.0l, Pl,Mw	1
	35	1037470	(10339948-) Nut, Hex, M14 X 2.00, Ss	1

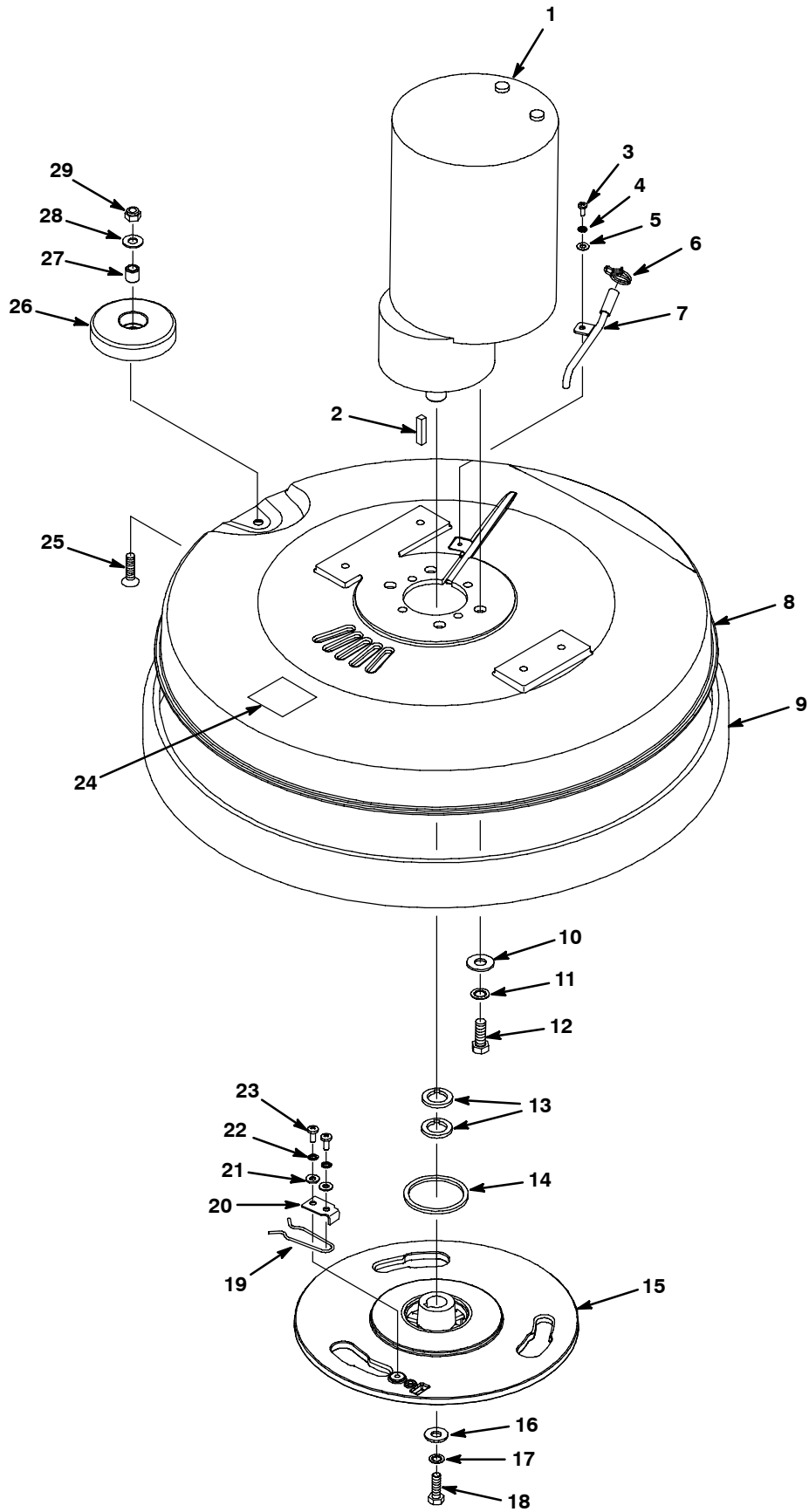
▽ ASSEMBLY

▲ INCLUDED IN ASSEMBLY

● RECOMMENDED STOCK ITEMS

STANDARD PARTS

SCRUB HEAD GROUP, 50 cm (20 in) MODEL (S/N 0000000-10339947)



SCRUB HEAD GROUP, 50 cm (20 in) MODEL (S/N 0000000-10339947)

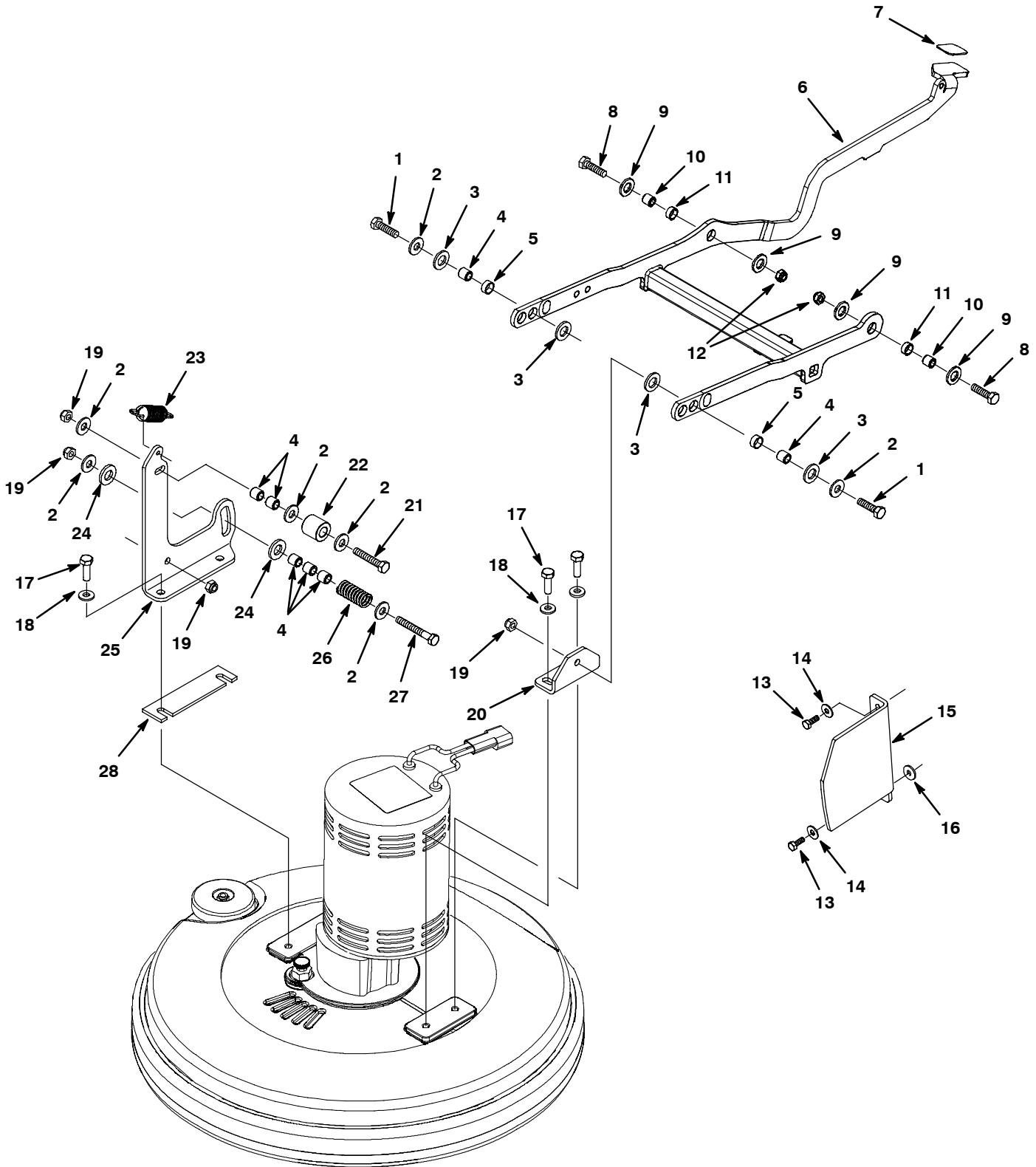
Ref.	Part No.	Serial Number	Description	Qty.
▽	1	610263	(00000000-10339947)● Motor, Ele, 24vdc 0200rpm 0.75hp 33.0a	1
▲		190970	(00000000-)● Brush, Carbon, Motor, Ele	4
▲		611024	(00000000-10339947)● Ring, Mtg, Brush	1
▲		374005	(00000000-10339947)● Vr, Gearbox, Motor	1
▲	2	630454	(00000000-10339947)● Key, Sq, 0.25 X 0.25, 1.13l	1
	3	1020234	(00000000-) Screw, Hex, M4 X 0.7 X 10, Ss	1
	4	02938	(00000000-) Washer, Lock, Int, #08, Ss	1
	5	1009168	(00000000-) Washer, Flat, 0.17b 0.75d .04, Ss	1
	6	607775	(00000000-) Clamp, Hose, Wir, .63 - .66, Blk	1
	7	1016155	(00000000-) Tube Wldt, Supply, Water	1
	8	1011477	(00000000-10339947) Housing, Head, 50cm, Mach Alm Casting	1
	9	1011316	(00000000-)● Bumper, Head, W/ Bristle Skirt	1
	10	01686	(00000000-) Washer, Flat, 0.44b 1.00d .08, Ss	4
	11	43953	(00000000-) Washer, Lock, Int, 0.38, Ss	4
	12	69225	(00000000-) Screw, Hex, .38-16 X 1.00, Ss	4
	13	621471	(00000000-) Spacer, 0.75b 1.12d 0.12l,	2
	14	1016426	(00000000-) Ring, Water, Containment	1
	15	1015878	(00000000-10339947) Driver, Pad, 3-Lug, Alm, 19.0b [T3]	1
	16	1017218	(00000000-10339947) Washer, Flat, 0.32b 1.00d .12, Ss	1
	17	43952	(00000000-10339947) Washer, Lock, Int, 0.31, Ss	1
	18	140221	(00000000-10339947) Screw, Hex, .31-18 X 1.25, Ss	1
	19	1013188	(00000000-)● Clip, Spring, Drive Plate [T3], Clr Zn	1
	20	1011201	(00000000-)● Plate, Clamp, Brush	1
	21	01683	(00000000-) Washer, Flat, 0.22b 0.50d .05, Ss [#10]	2
	22	07514	(00000000-) Washer, Lock, Int, #10, Ss	2
	23	09200	(00000000-) Screw, Pan, M5 X 0.8 X 12, Ss	2
	24	578769	(00000000-) Label, Moving Parts	1
	25	79506	(00000000-) Screw, Flt, M8 X 1.25 X 30, Ss	1
	26	1010560	(00000000-)● Wheel, Bmpr, 80d X 25w, Non-Marking	1
	27	222460	(00000000-) Sleeve, P/M, 0.31b 0.50d 0.5l [430ss]	1
	28	140027	(00000000-) Washer, Flat, 0.35b 0.75d .04, Ss	1
	29	08713	(00000000-) Nut, Hex, Lock, M8 X 1.25, NI, Ss	1

▽ ASSEMBLY

▲ INCLUDED IN ASSEMBLY

● RECOMMENDED STOCK ITEMS

SCRUB HEAD LIFT GROUP (S/N 10339948-)



SCRUB HEAD LIFT GROUP (S/N 10339948-)

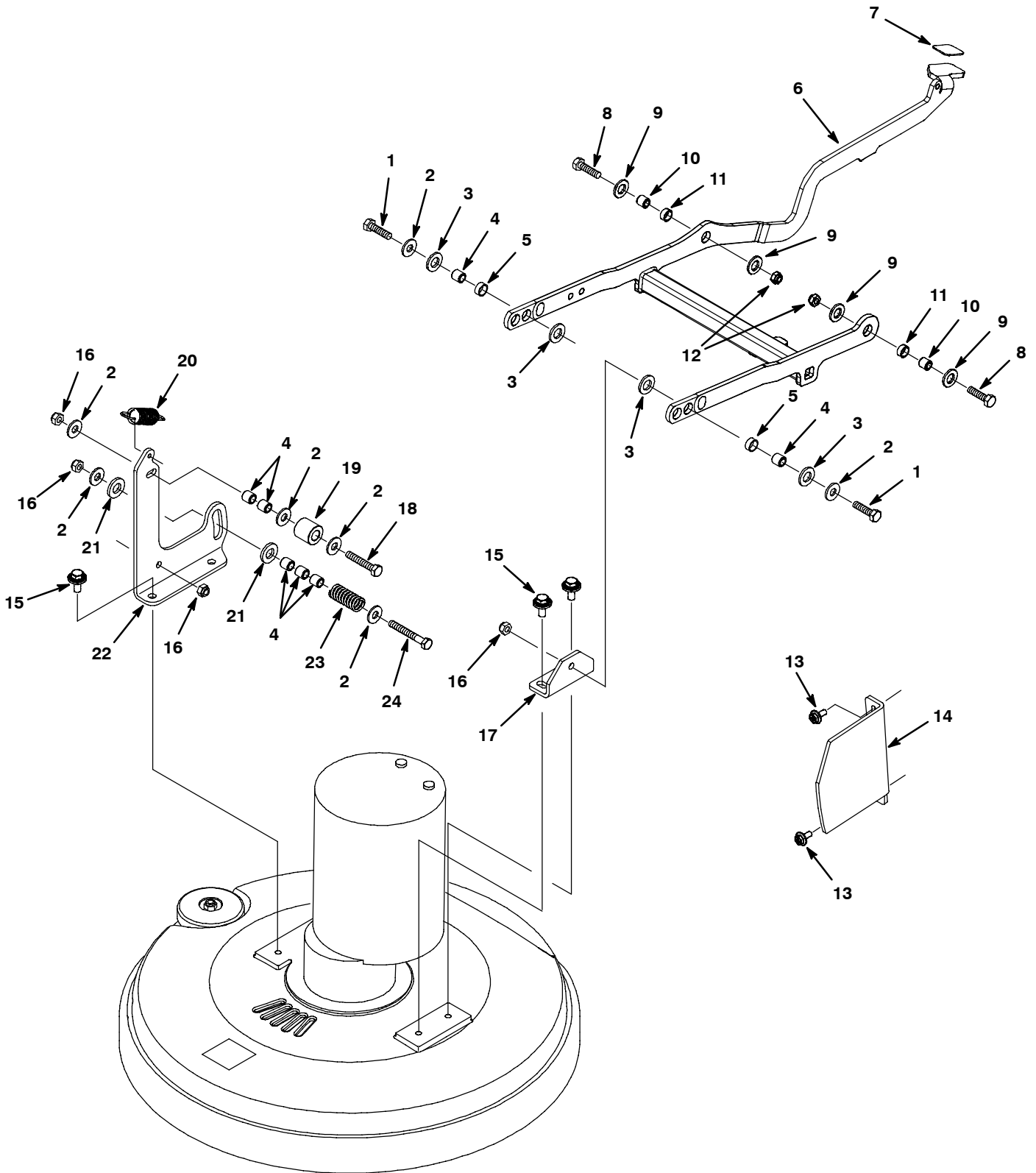
Ref.	Part No.	Serial Number	Description	Qty.	
1	09011	(00000000-) Screw, Hex, M8 X 1.25 X 30, Ss	2	
2	01685	(00000000-) Washer, Flat, 0.38b 0.88d .08, Ss	7	
3	1013936	(00000000-) Washer, Flat, 0.51b 0.94d .10, Nyl	4	
4	222460	(00000000-) Sleeve, P/M, 0.31b 0.50d 0.5l	7	
5	630188	(00000000-) Bearing, Journal, .50id X .25l	2	
▽	6	1037297	(00000000-) Lift Assy, Head, Sngl Disk, Aftmkt	1
▲	7	1014283	(00000000-)● Pad, Adh, Non-Slip, 28mm X 36mm, Blk	1
▲	8	09011	(00000000-) Screw, Hex, M8 X 1.25 X 30, Ss	2
▲	9	1013936	(00000000-) Washer, Flat, 0.51b 0.94d .10, Nyl	4
▲	10	222460	(00000000-) Sleeve, P/M, 0.31b 0.50d 0.5l	2
▲	11	630188	(00000000-) Bearing, Journal, .50id X .25l	2
▲	12	08713	(00000000-) Nut, Hex, Lock, M8 X 1.25, NI, Ss	2
	13	11329	(00000000-) Screw, Hex, M6 X 1.0 X 16, Ss, NI	2
	14	01684	(00000000-) Washer, Flat, 0.25 Ss	1
	15	1015460	(00000000-) Bracket, Guide, Head, [43cm]	1
	15	1012484	(00000000-) Bracket, Guide, Head, [50cm]	1
	16	1028796	(00000000-) Washer, Flat, 0.33b 1.00d .18, Stl, PI	1
	17	12333	(10339948-) Screw, Hex, M8 X 1.25 X 25, Ss, NI	4
	18	69461	(10339948-) Washer, Flat, 0.38b 0.88d .12, Stl, PI	4
	19	08713	(00000000-) Nut, Hex, Lock, M8 X 1.25, NI, Ss	4
	20	1015470	(00000000-) Bracket, Mtg, Head	1
	21	222505	(00000000-) Screw, Hex, M8 X 1.25 X 45, Ss	1
	22	1014020	(00000000-)● Roller, Lift, Dual Disk Head	1
	23	1032420	(10339948-) Spring, Extn, 0.85od 0.09wir 02.9l (43cm Model)	1
	23	1031776	(10339948-) Spring, Extn, 0.75od 0.09wir 03.2l (50cm Model)	1
	24	140127	(00000000-) Bearing, Thrust, 0.51b X 1.0 X .12, Brz	2
	25	1012323	(00000000-) Bracket, Mtg, Head, Rh	1
	26	140430	(00000000-) Spring, Cmpr, .72od X 1.69 L	1
	27	1014163	(00000000-) Screw, Hex, M8 X 1.25 X 60, FI, Ss	1
	28	1032791	(10339948-) Spacer, Head, 4mm (Brush Assist Model)	1
N/S	130773	(00000000-) Tie, Cable, Nyl, 11.0l, .14w, 3.0 Max. D	1	

▽ ASSEMBLY

▲ INCLUDED IN ASSEMBLY

● RECOMMENDED STOCK ITEMS

SCRUB HEAD LIFT GROUP (S/N 10309875-10339947)



SCRUB HEAD LIFT GROUP (S/N 10309875-10339947)

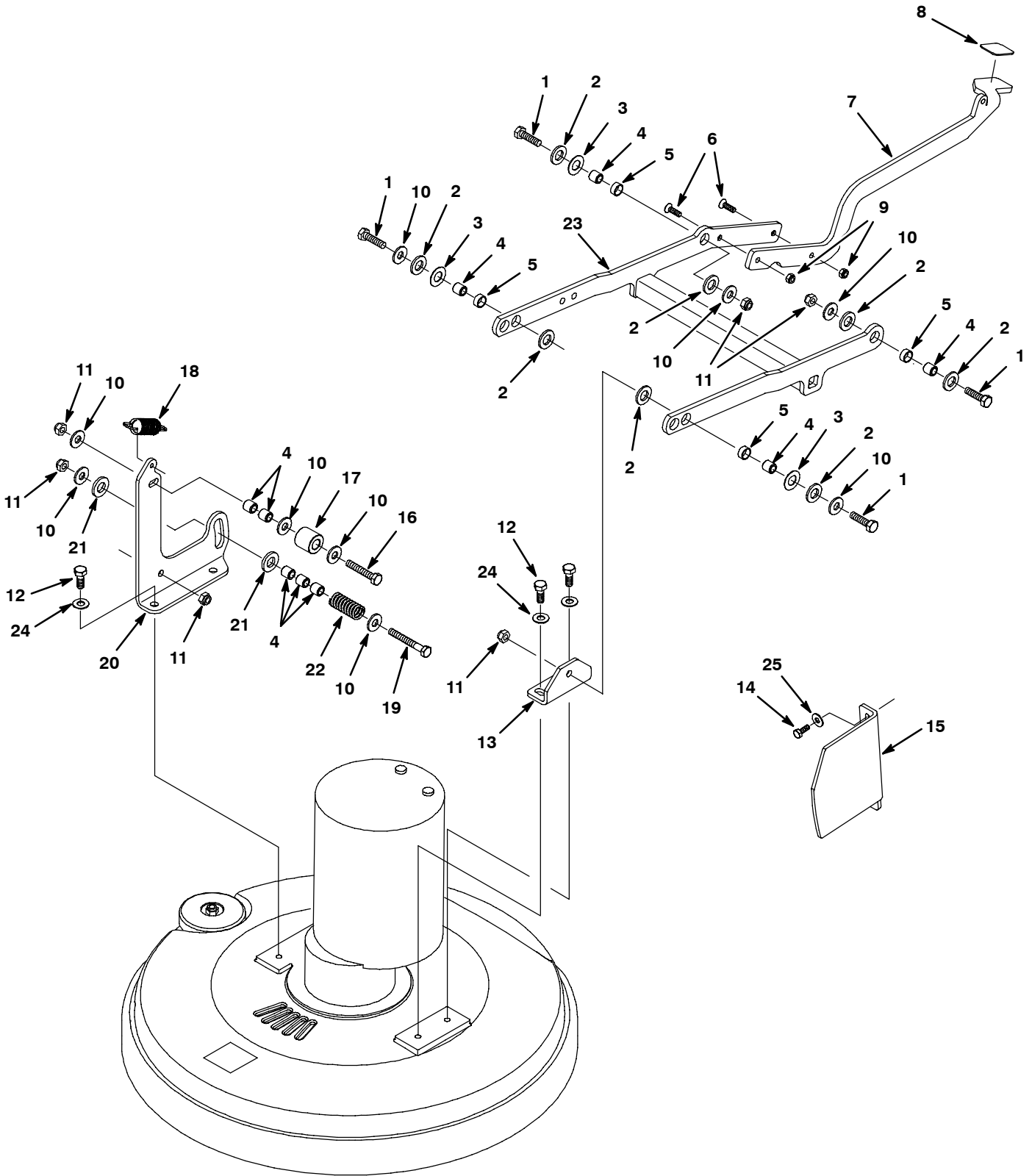
Ref.	Part No.	Serial Number	Description	Qty.	
1	09011	(00000000-) Screw, Hex, M8 X 1.25 X 30, Ss	2	
2	01685	(00000000-) Washer, Flat, 0.38b 0.88d .08, Ss	7	
3	1013936	(00000000-) Washer, Flat, 0.51b 0.94d .10, Nyl	4	
4	222460	(00000000-) Sleeve, P/M, 0.31b 0.50d 0.5l [430ss]	7	
5	630188	(00000000-) Bearing, Journal, .50id X .25l	2	
▽	6	1037297	(10309875-) Lift Assy, Head, Sngl Disk, Aftmkt [T3]	1
▲	7	1014283	(00000000-)● Pad, Adh, 28mm X 36mm, Blk [Non-Slip]	1
▲	8	09011	(00000000-) Screw, Hex, M8 X 1.25 X 30, Ss	2
▲	9	1013936	(00000000-) Washer, Flat, 0.51b 0.94d .10, Nyl	4
▲	10	222460	(00000000-) Sleeve, P/M, 0.31b 0.50d 0.5l [430ss]	2
▲	11	630188	(00000000-) Bearing, Journal, .50id X .25l	2
▲	12	08713	(00000000-) Nut, Hex, Lock, M8 X 1.25, NI, Ss	2
	13	1034731	(10309875-) Screw, Hex, M6 X 1.00 X 16, Ss, Sems	2
	14	1015460	(00000000-) Bracket, Guide, Head, [T3-43cm]	1
	14	1012484	(00000000-) Bracket, Guide, Head, [T3-50cm]	1
	15	1020341	(10309875-10339947) Screw, Hex, M8 X 1.25 X 20, Ss, Sems Sq	4
	16	08713	(00000000-) Nut, Hex, Lock, M8 X 1.25, NI, Ss	4
	17	1015470	(00000000-) Bracket, Mtg, Head	1
	18	222505	(00000000-) Screw, Hex, M8 X 1.25 X 45, Ss	1
	19	1014020	(00000000-)● Roller, Lift, Dual Disk Head	1
	20	1018916	(00000000-10339947) Spring, Extn, 0.75od 0.07wir 02.8l (43cm Model)	1
	20	1022177	(00000000-10339947) Spring, Extn, 0.75od 0.09wir 02.8l (50cm Model)	1
	21	140127	(00000000-) Bearing, Thrust, 0.51b 1.00d 0.12w, Brz	2
	22	1012323	(00000000-) Bracket, Mtg, Head, Rh	1
	23	140430	(00000000-) Spring, Cmpr, 0.70od .10wir 01.7l	1
	24	1014163	(00000000-) Screw, Hex, M8 X 1.25 X 60, Fl, Ss	1

▽ ASSEMBLY

▲ INCLUDED IN ASSEMBLY

● RECOMMENDED STOCK ITEMS

SCRUB HEAD LIFT GROUP (S/N 0000000-10309874)

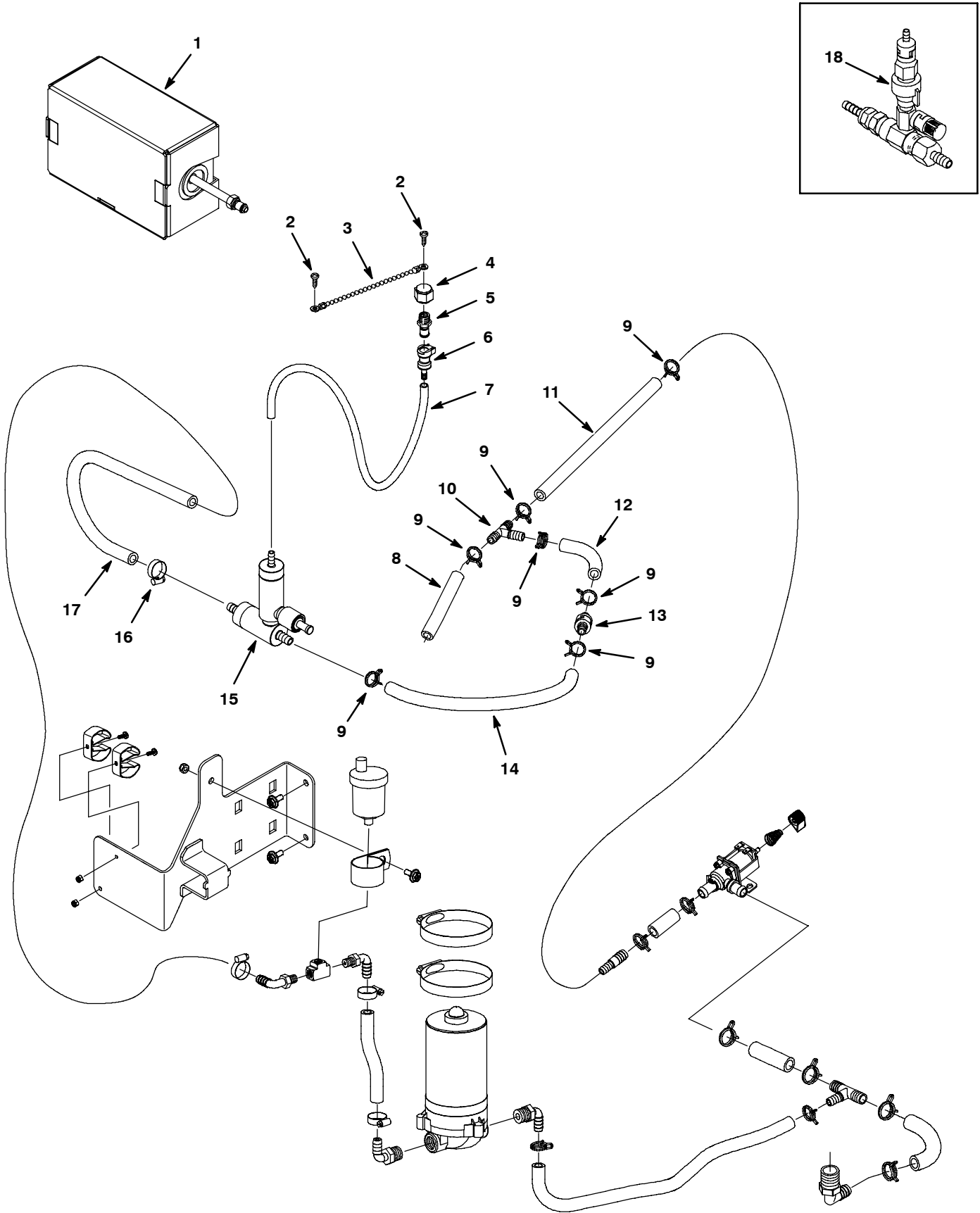


SCRUB HEAD LIFT GROUP (S/N 00000000-10309874)

Ref.	Part No.	Serial Number	Description	Qty.
1	09011	(00000000-) Screw, Hex, M8 X 1.25 X 30, Ss	4
2	1013936	(00000000-) Washer, Flat, 0.51b 0.94d .10, Nyl	8
3	20536-2	(00000000-10309874) Washer, Flat, 0.47b 1.19d .03, Nyl	3
4	222460	(00000000-) Sleeve, P/M, 0.31b 0.50d 0.5l [430ss]	9
5	630188	(00000000-) Bearing, Journal, .50id X .25l	4
6	1016421	(00000000-10309874) Screw, Flt, M6 X 1.0 X 20, Ss	2
7	1011841	(00000000-10309874) Pedal, Foot, Lift, Head [T3]	1
8	1014283	(00000000-)● Pad, Adh, 28mm X 36mm, Blk [Non-Slip]	1
9	08712	(00000000-10309874) Nut, Hex, Lock, M6 X 1.00, Ss, NI	2
10	01685	(00000000-) Washer, Flat, 0.38b 0.88d .08, Ss	9
11	08713	(00000000-) Nut, Hex, Lock, M8 X 1.25, NI, Ss	6
12	12273	(00000000-10309874) Screw, Hex, M8 X 1.25 X 20, Ss, NI	4
13	1015470	(00000000-) Bracket, Mtg, Head	1
14	11329	(00000000-10309874) Screw, Hex, M6 X 1.0 X 16, Ss, NI	2
15	1015460	(00000000-) Bracket, Guide, Head, [T3-43cm]	1
15	1012484	(00000000-) Bracket, Guide, Head, [T3-50cm]	1
16	222505	(00000000-) Screw, Hex, M8 X 1.25 X 45, Ss	1
17	1014020	(00000000-)● Roller, Lift, Dual Disk Head	1
18	1018916	(00000000-) Spring, Extn, 0.75od 0.07wir 02.8l (43cm Model)	1
18	1022177	(00000000-) Spring, Extn, 0.75od 0.09wir 02.8l (50cm Model)	1
19	1014163	(00000000-) Screw, Hex, M8 X 1.25 X 60, Fl, Ss	1
20	1012323	(00000000-) Bracket, Mtg, Head, Rh	1
21	140127	(00000000-) Bearing, Thrust, 0.51b 1.00d 0.12w, Brz	2
22	140430	(00000000-) Spring, Cmpr, 0.70od .10wir 01.7l	1
23	1013802	(00000000-10309874) Lift Wldt, Head, Sgl Disk [T3]	1
24	140027	(00000000-10309874) Washer, Flat, 0.35b 0.75d .04, Ss	4
25	01684	(00000000-10309874) Washer, Flat, 0.27b 0.69d .05, Ss	2

● RECOMMENDED STOCK ITEMS

SOLUTION GROUP, FaST MODEL

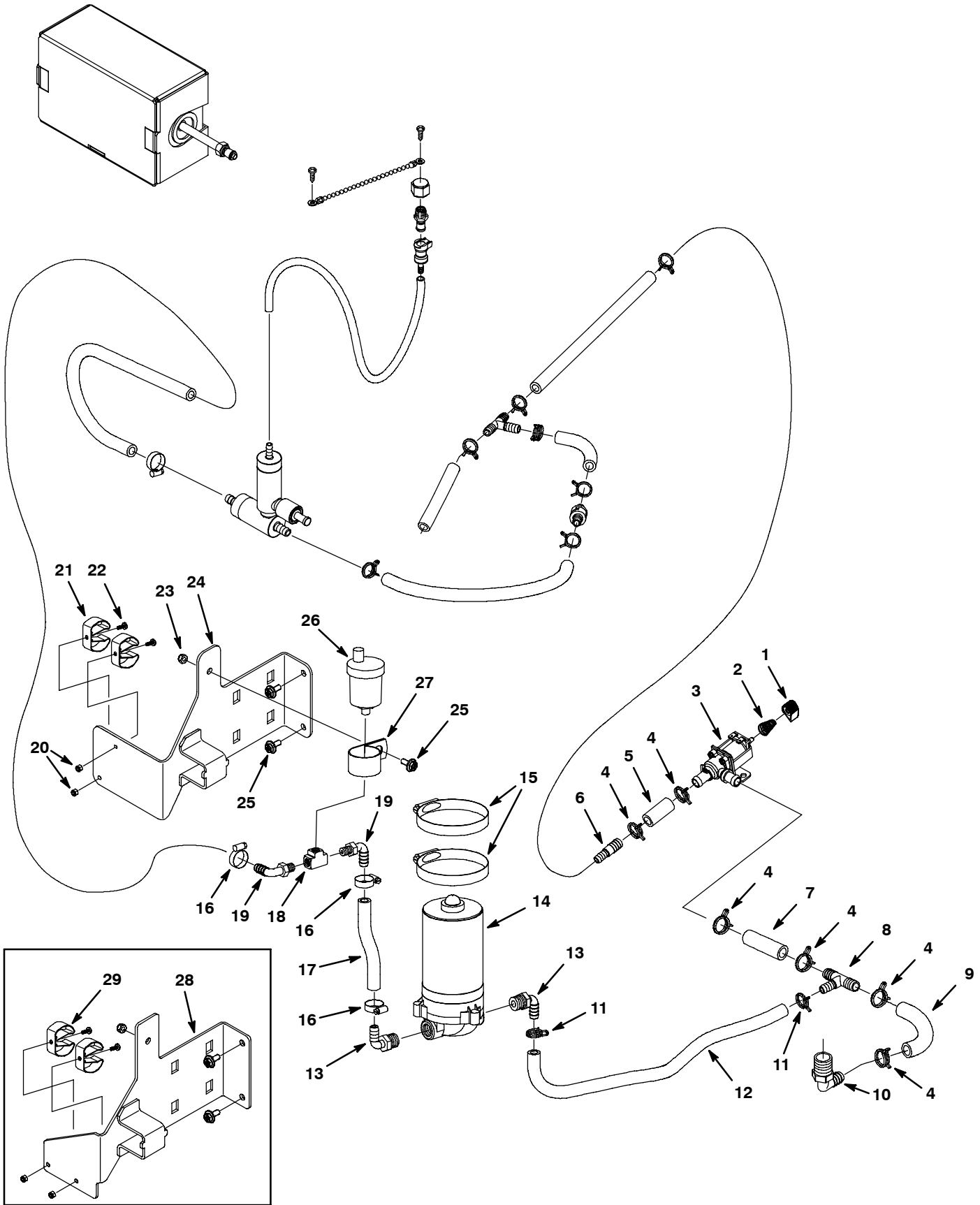


SOLUTION GROUP, FaST MODEL

Ref.	Part No.	Serial Number	Description	Qty.
1	1017015	(00000000-)● Detergent, Pkg, 2 Liter, Sgl [365]	1
1	1017022	(00000000-)● Detergent, Pkg, 2 Liter, Sgl [665]	1
2	1018155	(00000000-) Screw, Pan, M5 X 0.8 X16, Ss, Tcut	2
3	621443	(00000000-) Chain, Ball, #10, 157mml, Ss	1
4	1005435	(00000000-) Fitting, Plstc, Pipe, Cap, Pf04	1
5	1002899	(00000000-)● Fitting, Plstc, Str, Pm04, Cplg, Mal	1
6	1002898	(00000000-)● Fitting, Plstc, Str, Bm04, Cplg, Fem	1
7	613947	(00000000-) Hose, Pvc, Clr, 0.25id 0.38od 026.0l	1
8	613446	(00000000-) Hose, Pyu, Clr, 0.38id 0.62od 010.0l	1
9	607775	(00000000-) Clamp, Hose, Wir, .63 - .66, Blk	7
10	160310	(00000000-) Fitting, Plstc, Tee, Bm06/Bm06/Bm06	1
11	613451	(00000000-) Hose, Pyu, Clr, 0.38id 0.62od 012.0l	1
12	606362	(00000000-) Hose, Pyu, Clr, 0.38id 0.62od 006.5l	1
13	1015455	(00000000-)● Valve, Check, 0005psi Bm06/Bm06	1
14	613442	(00000000-) Hose, Pyu, Clr, 0.38id 0.62od 015.5l	1
15	9003906	(10346875-)● FaST Kit, Injector, Ci [T3/Ss3 FaST II+] (See Breakdown)	1
16	54333	(00000000-) Clamp, Hose, Wormdrive, 0.31-0.88d, .31w	1
17	613722	(00000000-) Hose, Pvc, Brd, 0.38id 0.60od 021.0l,Clr	1
18	9003801	(00000000-10346874)● FaST Kit, Conv, Ci [T3/Ss3 FaST II +] (See Breakdown)	1

● RECOMMENDED STOCK ITEMS

SOLUTION GROUP, FaST MODEL - CONT'D



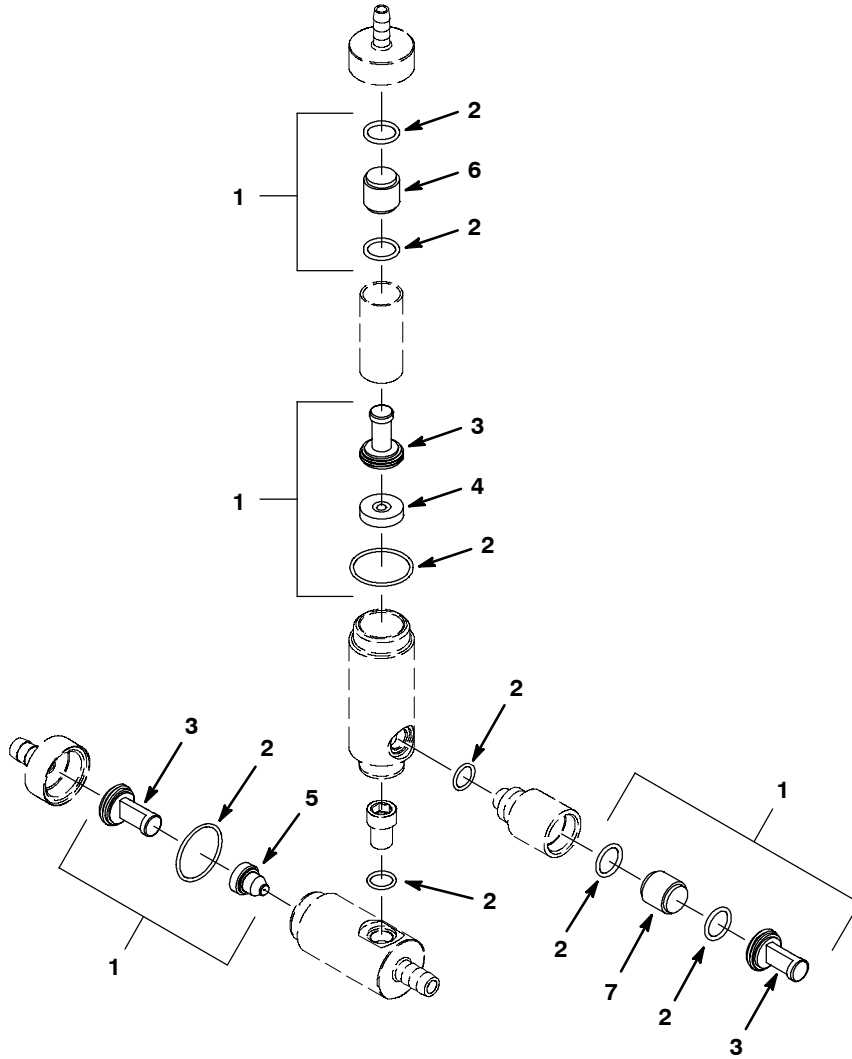
SOLUTION GROUP, FaST MODEL - CONT'D

Ref.	Part No.	Serial Number	Description	Qty.
1	1013442	(00000000-)● Knob, Valve, Indicator, Blk	1
2	1017091	(00000000-)● Spring, Cmpr, 0.50od .04wir 00.8l	1
3	1016595	(00000000-)● Valve, .25-20 [Liq Dispensing]	1
4	607776	(00000000-) Clamp, Hose, Wir, .73 - .77, Silver	6
5	1015071	(00000000-) Hose, Afmkt, Pvc, Clr, 0.50id, 01ft	1
6	612774	(00000000-) Fitting, Plstc, Str, Bm06/Bm08	1
7	613511	(00000000-) Hose, Pvc, Clr, 0.50id 0.75od 002.5l	1
8	630372	(00000000-) Fitting, Plstc, Tee, Bm06/Bm08/Bm08, Br	1
9	613517	(00000000-) Hose, Pvc, Clr, 0.50id 0.75od 005.5l	1
10	1013505	(00000000-) Fitting, Plstc, E90, Bm08/Pm08, Nyl	1
11	607775	(00000000-) Clamp, Hose, Wir, .63 - .66, Blk	2
12	613450	(00000000-) Hose, Pyu, Clr, 0.38id 0.62od 024.0l	1
13	1005630	(00000000-) Fitting, Plstc, E90, Bm06/Pm06, Nyl	2
14	1014282	(00000000-)● Pump, Soltn, Ele, 24vdc, 60psi [Packard]	1
15	43555	(00000000-) Clamp, Hose, Wormdrive, 2.50-3.50d, .50w	2
16	54333	(00000000-) Clamp, Hose, Wormdrive, 0.31-0.88d, .31w	3
17	613724	(00000000-) Hose, Pvc, Brd, 0.38id 0.60od 010.0l,Clr	1
18	150705	(00000000-) Fitting, Brs, Tee, Pf02/Pf02/Pf02	1
19	1005564	(00000000-) Fitting, Plstc, E90, Bm06/Pm02, Nyl	2
20	33932	(00000000-) Nut, Hex, Lock, M4 X 0.70, NI, Ss	2
21	573073	(10346875-) Clip, Grip, Hose, 1.00-1.38, Zn	2
22	49697	(00000000-) Screw, Pan, M4 X 0.7 X 10, Ss	2
23	08712	(00000000-) Nut, Hex, Lock, M6 X 1.00, Ss, NI	1
24	1037242	(10346875-) Bracket Wldt, Mtg, Pump [Fast II+]	1
25	1034731	(10309875-) Screw, Hex, M6 X 1.00 X 16, Ss, Sems	3
26	1017386	(00000000-)● Valve, Vent, Air, Float Type	1
27	53466	(00000000-) Clamp, Cable, Stl, 1.50d X 1.00w, 1hole	1
28	1020273	(00000000-10346874) Bracket Wldt, Mtg, Pump [Fast]	1
29	1014295	(00000000-10346874) Clip, Grip, Hose, 0.75-1.12, Blk Vyl	2

● RECOMMENDED STOCK ITEMS

STANDARD PARTS

9003906 FAST INJECTOR ASSEMBLY BREAKDOWN (S/N 10346875-)



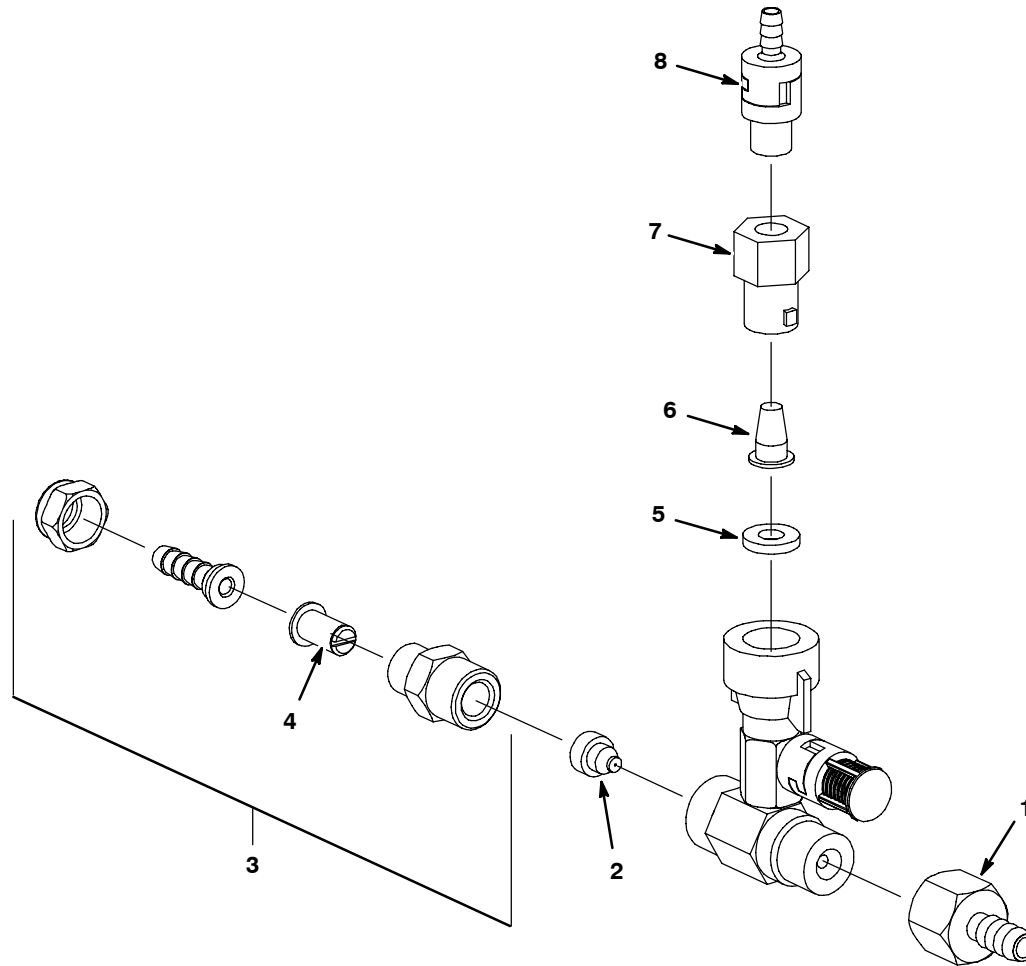
Ref.	Part No.	Serial Number	Description	Qty.
▽	1	9003802	(10346875-) ● FaST Kit, Ci, Injector Rebuild [FaST II+]	1
▲	2	9003008	(10346875-) ● FaST Kit, Ci, Injector Seals [FaST II+]	1
▲	3	9003009	(10346875-) ● FaST Kit, Ci, Injector Filters [FaST II+]	1
▲	4	1039974	(10346875-) Plate Assy, Orifice, 0.0065ld, Blk	1
▲	5	1039988	(10346875-) Orifice, Plug, .027	1
▲	6	1030444	(10346875-) Valve, Check, 0002psi, White, [FaST II+]	1
▲	7	1030441	(10346875-) Valve, Check, 0005psi, Brown, [FaST II+]	1

▽ ASSEMBLY

▲ INCLUDED IN ASSEMBLY

● RECOMMENDED STOCK ITEMS

9003801 FAST INJECTOR ASSEMBLY BREAKDOWN (S/N 0000000-10346874)



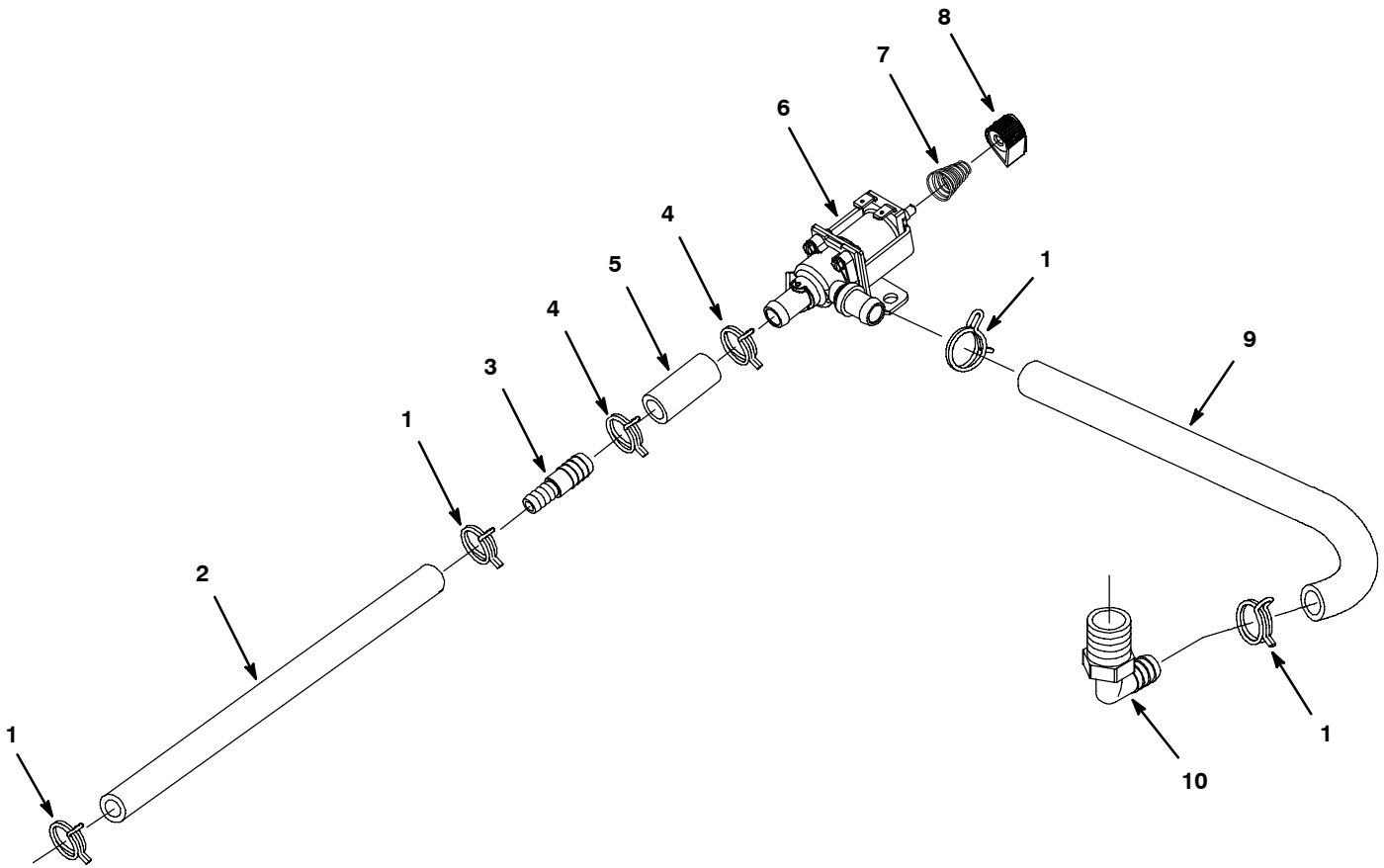
Ref.	Part No.	Serial Number	Description	Qty.	
1	1014276	(00000000-10346874)	Fitting, Brs, Str, Bm06/Pf08	1	
2	1014470	(00000000-10346874)	● Plug, Orifice, 0.022	1	
▽	3	1013411	(00000000-10346874)	● Filter Assy, 50 Mesh	1
▲	4	1006447	(00000000-10346874)	● Vr, Filter, Screen, 050 Mesh .59D .8L Ss	1
5	1039974	(00000000-10346874)	● Plate Assy, Orfice, 0.0065Id, Blk	1	
6	1029355	(00000000-10346874)	● Vr, Filter, Screen, 200 Mesh .59D .8L Ss	1	
7	1005507	(00000000-10346874)	Fitting, Plstc, Body, Spray, Pf04	1	
8	1014254	(00000000-10346874)	● Valve, Check, 0002psi Bm04/Pm04	1	

▽ ASSEMBLY

▲ INCLUDED IN ASSEMBLY

● RECOMMENDED STOCK ITEMS

SOLUTION GROUP, STANDARD MODEL

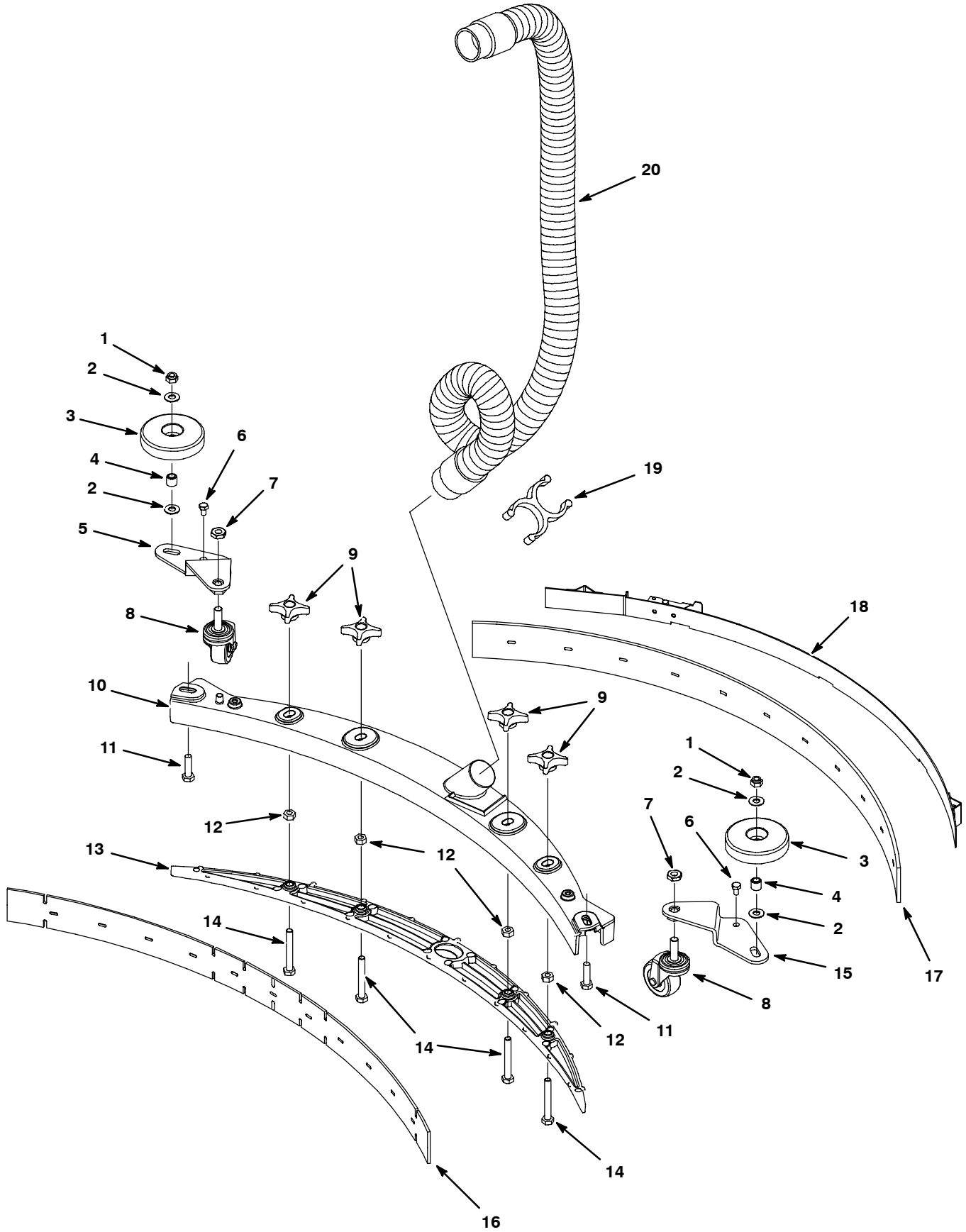


SOLUTION GROUP, STANDARD MODEL

Ref.	Part No.	Serial Number	Description	Qty.
1	607775	(00000000-) Clamp, Hose, Wir, .63 - .66, Blk	4
2	613444	(00000000-) Hose, Pyu, Clr, 0.38id 0.62od 020.0l	1
3	612774	(00000000-) Fitting, Plstc, Str, Bm06/Bm08	1
4	607776	(00000000-) Clamp, Hose, Wir, .73 - .77, Silver	2
5	606225	(00000000-) Hose, Pvc, Clr, 0.50id 0.75od 001.8l	1
6	1016595	(00000000-)● Valve, .25-20 [Liq Dispensing]	1
7	1017091	(00000000-) Spring, Cmpr, 0.50od .04wir 00.8l	1
8	1013442	(00000000-)● Knob, Valve, Indicator, Blk	1
9	613518	(00000000-) Hose, Pvc, Clr, 0.50id 0.75od 008.0l	1
10	1013505	(00000000-) Fitting, Plstc, E90, Bm08/Pm08, Nyl	1

● RECOMMENDED STOCK ITEMS

SQUEEGEE GROUP



SQUEEGEE GROUP

Ref.	Part No.	Serial Number	Description	Qty.
▽	9001178	(00000000-)● Squeegee Assy Kit, 500mm, Ci	1
▲	1 08713	(00000000-) Nut, Hex, Lock, M8 X 1.25, NI, Ss	2
▲	2 140027	(00000000-) Washer, Flat, 0.35b 0.75d .04, Ss	4
▲	3 1010560	(00000000-)● Wheel, Bmpr, 80d X 25w, Non-Marking	2
▲	4 222460	(00000000-) Sleeve, P/M, 0.31b 0.50d 0.5l [430ss]	2
▲	5 1011228	(00000000-) Plate, Mtg, Caster, Sqge, Rh	1
▲	6 74455	(00000000-) Screw, Hex, M6 X 1.0 X 12, Fmg	2
▲	7 32716	(00000000-) Nut, Hex, Jam, M10 X 1.5, Ss	2
▲	8 1006343	(00000000-)● Caster, Swivel, 50mmd, M10 X 30, Clr PI	2
▲	9 1010558	(00000000-)● Knob, Star, 2.00d 4ear 0.7l M8x1.25,Thru	4
▲	10 1011163	(00000000-) Frame, Sqge, 74cm, Die Cast [50cm - T3]	1
▲	11 09011	(00000000-) Screw, Hex, M8 X 1.25 X 30, Ss	2
▲	12 07786	(00000000-) Nut, Hex, Std, M8 X 1.25, Ss	4
▲	13 1019919	(00000000-) Retainer, Sqge, 76cm Nyl, Blk [50cm-T3]	1
▲	14 1014163	(00000000-) Screw, Hex, M8 X 1.25 X 60, Fl, Ss	4
▲	15 1011956	(00000000-) Plate, Mtg, Caster, Sqge, Lh	1
▲	16 1011232	(00000000-)● Blade, Sqge, Front, 500mml Linatex (Standard)	1
	16 1014091	(00000000-)● Blade, Sqge, Front, 500mml, Gum (Optional)	1
	16 1014092	(00000000-)● Blade, Sqge, Front, 500mml, Oil-Rstn (Optional)	1
▲	17 1011456	(00000000-)● Blade, Sqge, Rear, 32.7l, Linatex[500mm] (Standard)	1
	17 1014093	(00000000-)● Blade, Sqge, Rear, 32.7l, Gum [500mm] (Optional)	1
	17 1014094	(00000000-)● Blade, Sqge, Rear, 32.7l, Oil-Rstn[500mm] (Optional)	1
▲	18 1013933	(00000000-) Strap Assy, Sqge, 500mm [Triple Threat]	1
	19 1014079	(00000000-)● Clip, Grip, Hose, 1.50id, Dbl, Blk Pyp	1
	20 1014026	(00000000-)● Hose, Vacuum, 1.50id X 057.0l, 2cuff	1

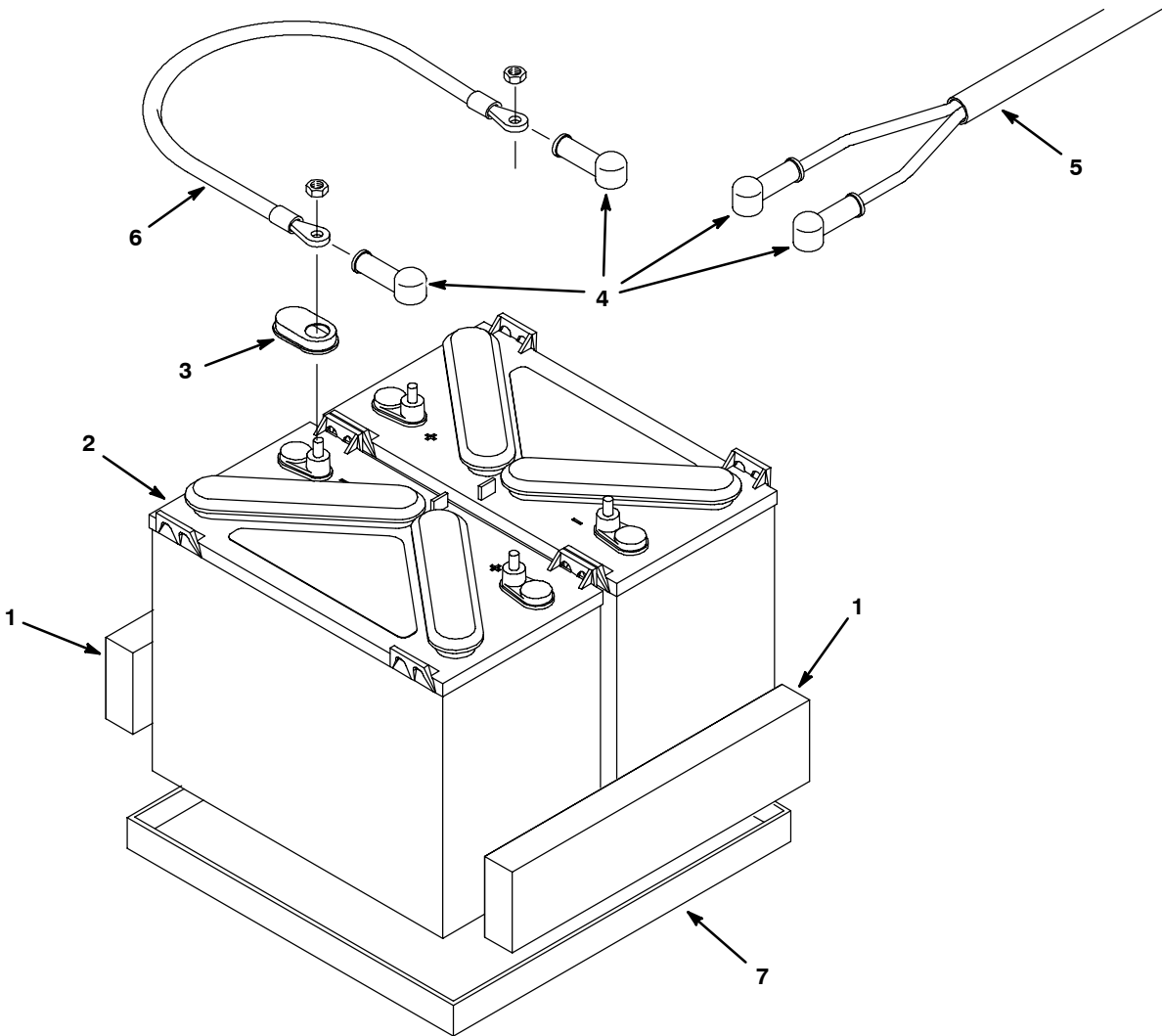
▽ ASSEMBLY

▲ INCLUDED IN ASSEMBLY

● RECOMMENDED STOCK ITEMS

STANDARD PARTS

BATTERY GROUP, 12V/155AH, 50 cm (20 in) DRIVE MODEL



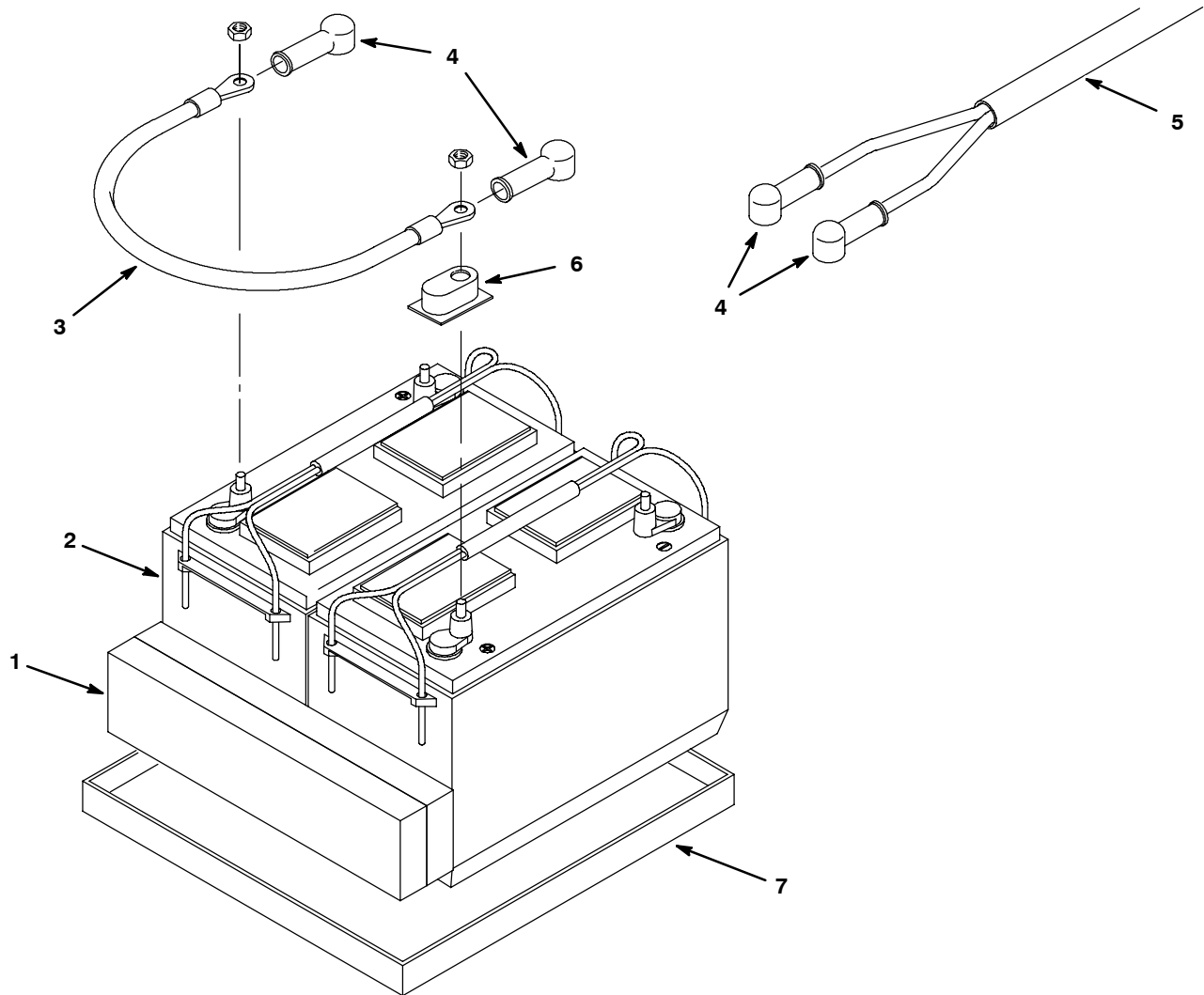
Ref.	Part No.	Serial Number	Description	Qty.
	1	630375	(00000000-) ● Spacer, Battery, 1.25 X 3.3 X 13.7, Foam	2
▽	2	1015046	(00000000-) ● Battery, Wet, 12vdc 0155ah	2
▲	3	1041030	(00000000-) ● Cap, Battery	4
	4	611221	(00000000-) ● Boot, Terminal, Battery, 25.4mm, Blk	4
	5	1015941	(00000000-)) Harness, Battery [T3]	1
	6	130364	(00000000-) ● Cable, 06ga 15.0l Blk .31ring /.38ring	1
	7	1012994	(00000000-) ● Tray, Battery [T3]	1

▽ ASSEMBLY

▲ INCLUDED IN ASSEMBLY

● RECOMMENDED STOCK ITEMS

BATTERY GROUP, 12V/130AH, 50 cm (20 in) BRUSH ASSIST MODEL

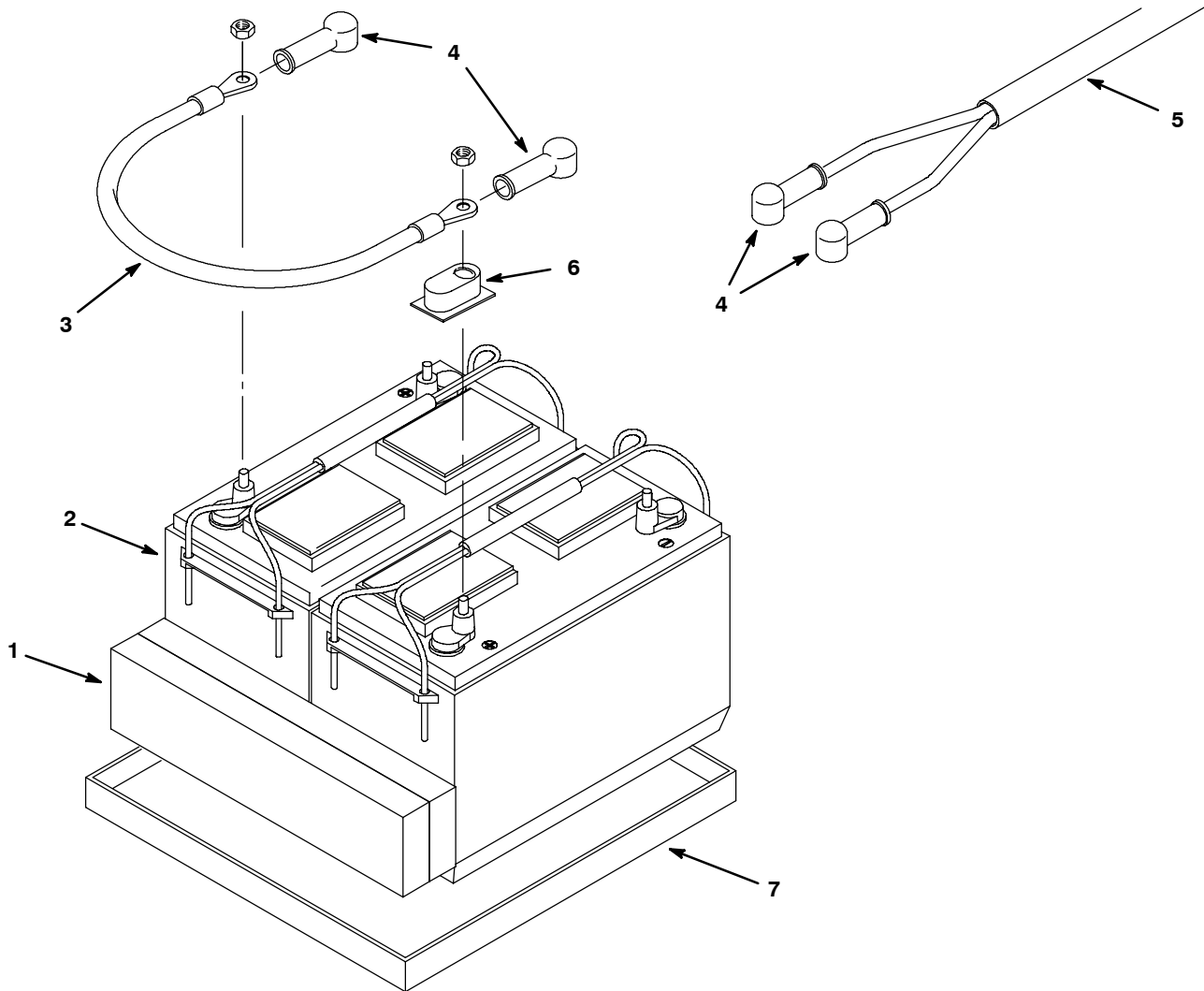


Ref.	Part No.	Serial Number	Description	Qty.
1	630375	(00000000-)● Spacer, Battery, 1.25 X 3.3 X 13.7, Foam	2
2	130869	(00000000-)● Battery, 12vdc 0130ah [30xhs-Wnt]	2
3	130364	(00000000-)● Cable, 06ga 15.0l Blk .31ring /.38ring	1
4	611221	(00000000-)● Boot, Terminal, Battery, 25.4mm, Blk	4
5	1015941	(00000000-) Harness, Battery [T3]	1
6	45962	(00000000-) Cap, Plstc, .04 1.38 X 2.30 0.5l	4
7	1012994	(00000000-)● Tray, Battery [T3]	1

● RECOMMENDED STOCK ITEMS

STANDARD PARTS

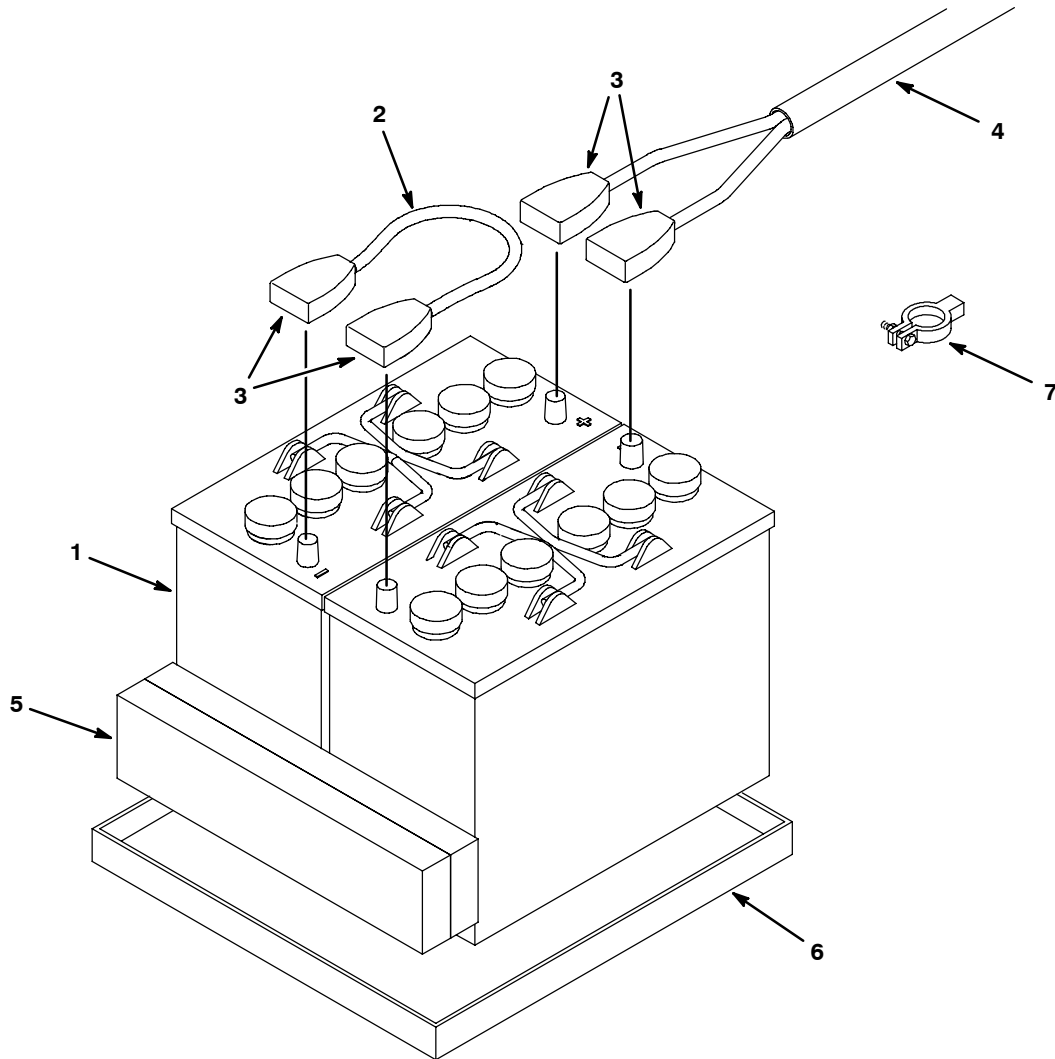
BATTERY GROUP, 12V/105AH, 43 cm (17 in) BRUSH ASSIST MODEL



Ref.	Part No.	Serial Number	Description	Qty.
1	630375	(00000000-)● Spacer, Battery, 1.25 X 3.3 X 13.7, Foam	2
2	578426	(00000000-)● Battery, 12vdc 0105ah 0530cca [27tmx]	2
2	130869	(00000000-)● Battery, 12vdc 0130ah [30Xhs-Wnt] (Japan)	2
3	130364	(00000000-)● Cable, 06ga 15.0l Blk .31ring /.38ring	1
4	611221	(00000000-)● Boot, Terminal, Battery, 25.4mm, Blk	4
5	1015941	(00000000-) Harness, Battery [T3]	1
6	45962	(00000000-) Cap, Plstc, .04 1.38 X 2.30 0.5l	4
7	1012994	(00000000-)● Tray, Battery [T3]	1

● RECOMMENDED STOCK ITEMS

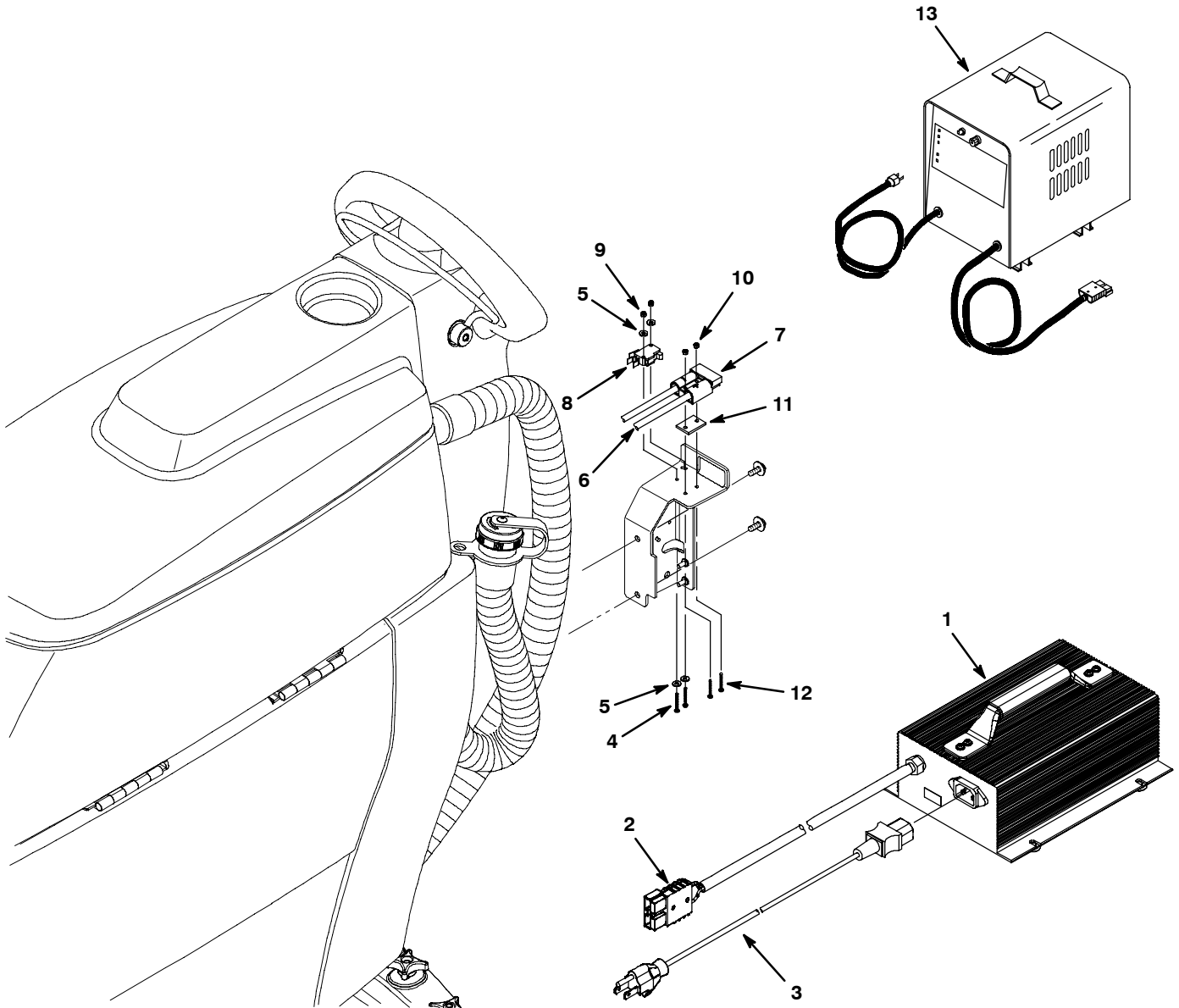
BATTERY GROUP, MAINTENANCE FREE, 12V/105AH (Japan)



Ref.	Part No.	Serial Number	Description	Qty.
1	994201	(00000000-)● Battery, 06vdc 165ah [5h, Gf061602]	4
2	130364	(00000000-)● Cable, 06ga 15.0l Blk .31ring /.38ring	1
3	989860	(00000000-)● Cover Set, Terminal, Battery (set of 2)	2
4	1015941	(00000000-) Harness, Battery [T3]	1
5	630375	(00000000-) Spacer, Battery, 1.25 X 3.25 X 13.7 Foam	2
6	1012994	(00000000-)● Tray, Battery [T3]	1
7	93580	(00000000-)● Clamp, Post, Battery, Positive	2
7	93581	(00000000-)● Clamp, Post, Battery, Negative	2

● RECOMMENDED STOCK ITEMS

OFF-BOARD BATTERY CHARGER GROUP



OFF-BOARD BATTERY CHARGER GROUP

	Ref.	Part No.	Serial Number	Description	Qty.
▽	1	1029216	(00000000-)● Charger, 24vdc, 11a Var Vac 1ph 50/60hz	1
▲	2	605387	(00000000-)● Connector, Anderson, 50a,Red W/O Contact	1
	3	1025642	(00000000-)● Cord, Power, 16/3, 4.5 Meters, Blk [Us/Japan]	1
	3	1026330	(00000000-)● Cord, Power, 1.0mm2 X 2.5 Meters [China]	1
	3	1026325	(00000000-)● Cord, Power, 1.0mm2 X 2.5 Meters [Aus]	1
	3	1032849	(00000000-)● Cord, Power, 2.5 Meter, Black [Ce]	1
	4	06922	(00000000-) Screw, Pan, M3 X 0.50 X 20, 4.8	2
	5	41578	(00000000-) Washer, Flat, #06, Ss	4
▽	6	1033362	(00000000-) Harness, Chrgr	1
▲	7	605387	(00000000-)● Connector, Anderson, 50a,Red W/O Contact	1
	8	611005	(00000000-)● Switch, Rlr, 16a, Micro	1
	9	579211	(00000000-) Nut, Hex, Lock, M3 X 0.50, Ss	2
	10	33932	(00000000-) Nut, Hex, Lock, M4 X 0.70, NI, Ss	2
	11	603331	(00000000-) Spacer, Plug, Chrgr	1
	12	1033197	(00000000-) Screw, Pan, M4x0.7x24, Phl, Ss [7985]	2
	13	391993	(00000000-)● Charger, 24vdc, 12a, 100vdc, 50/60hz (Japan-105 Ah)	1
	13	391992	(00000000-)● Charger, 24vdc, 12a, 100vdc, 50/60hz (Japan-120 Ah)	1

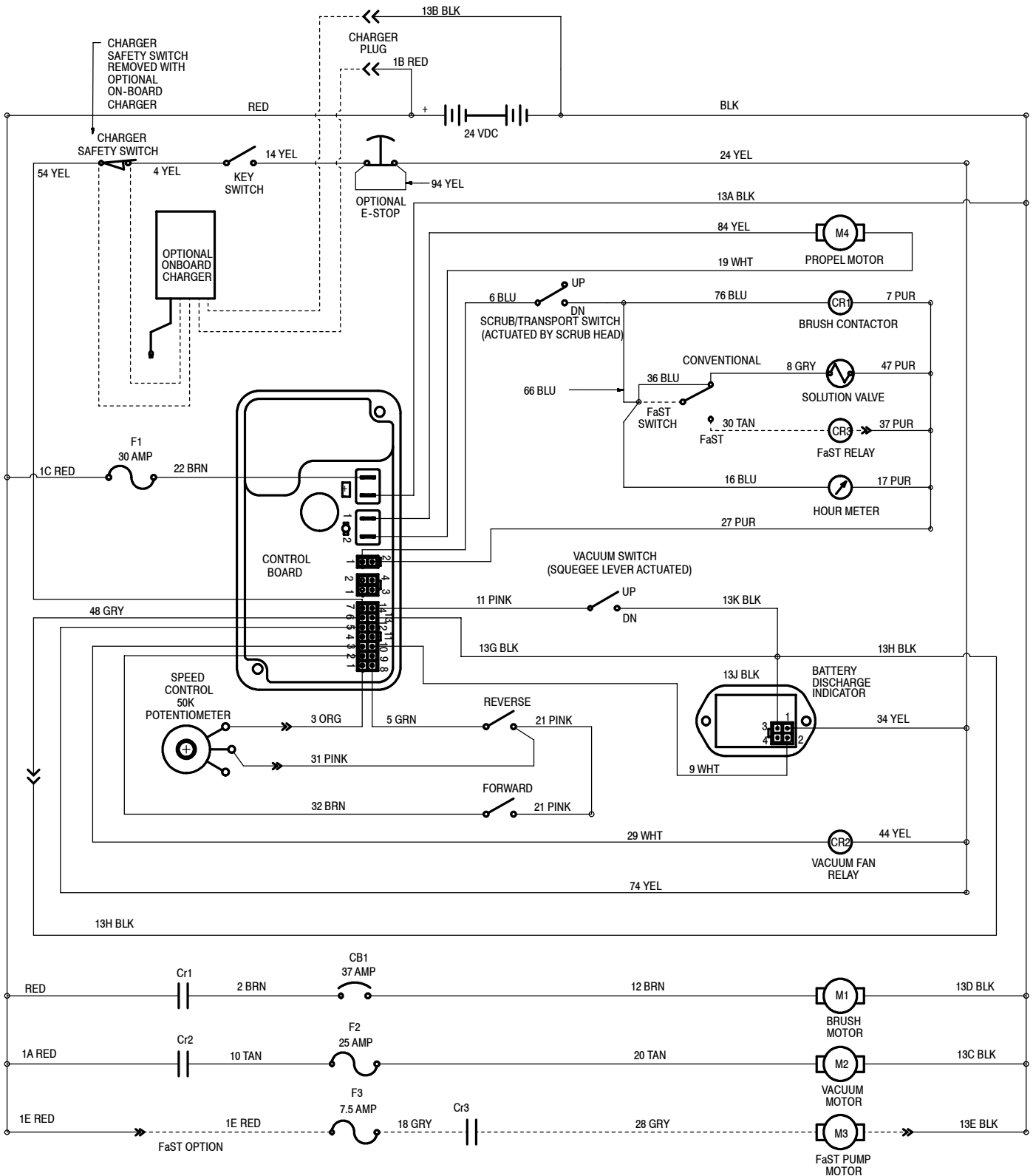
▽ ASSEMBLY

▲ INCLUDED IN ASSEMBLY

● RECOMMENDED STOCK ITEMS

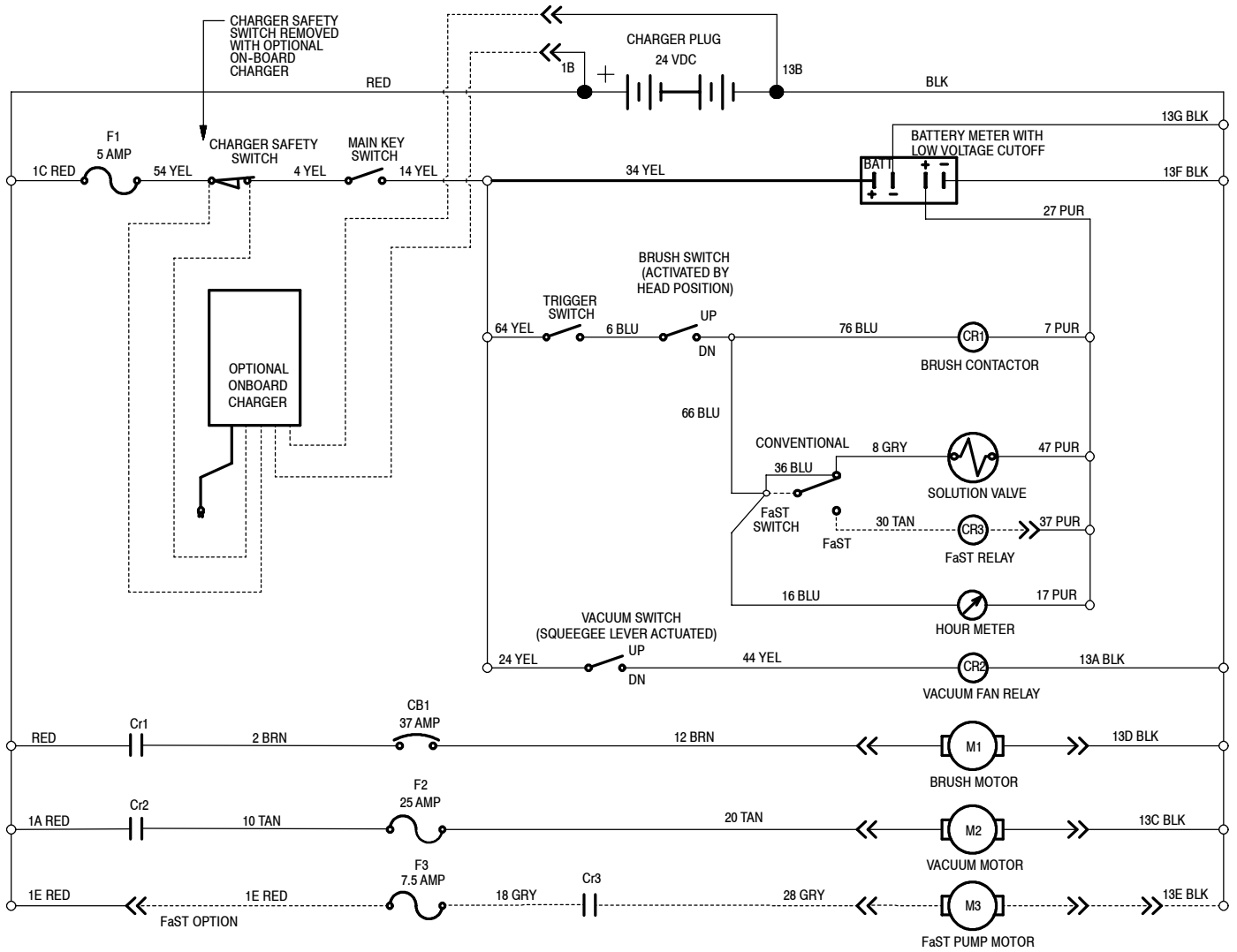
ELECTRICAL DIAGRAM, DRIVE MODEL (S/N 10339948-)

1032396



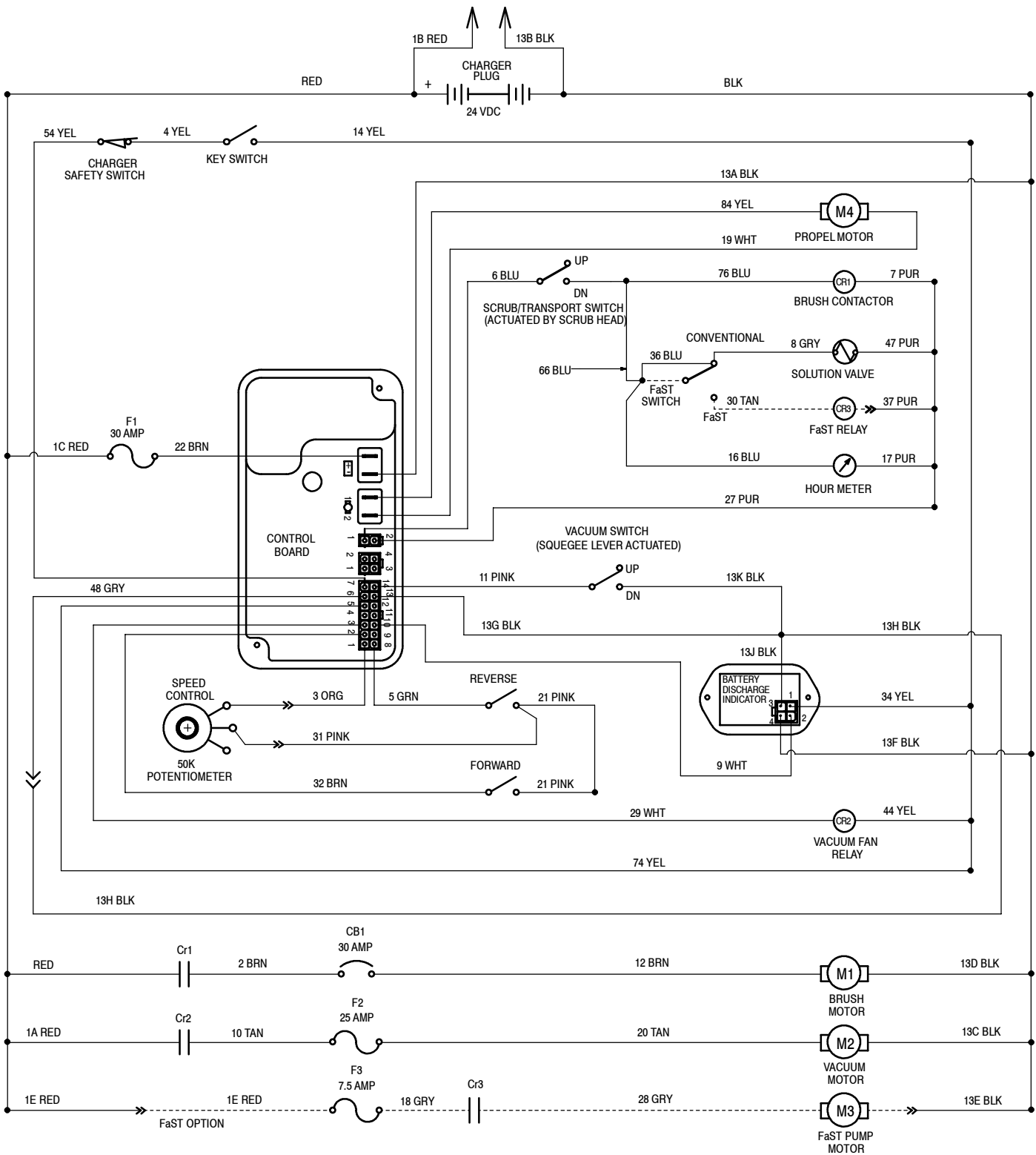
ELECTRICAL DIAGRAM, BRUSH ASSIST MODEL (S/N 10339948-)

1032409



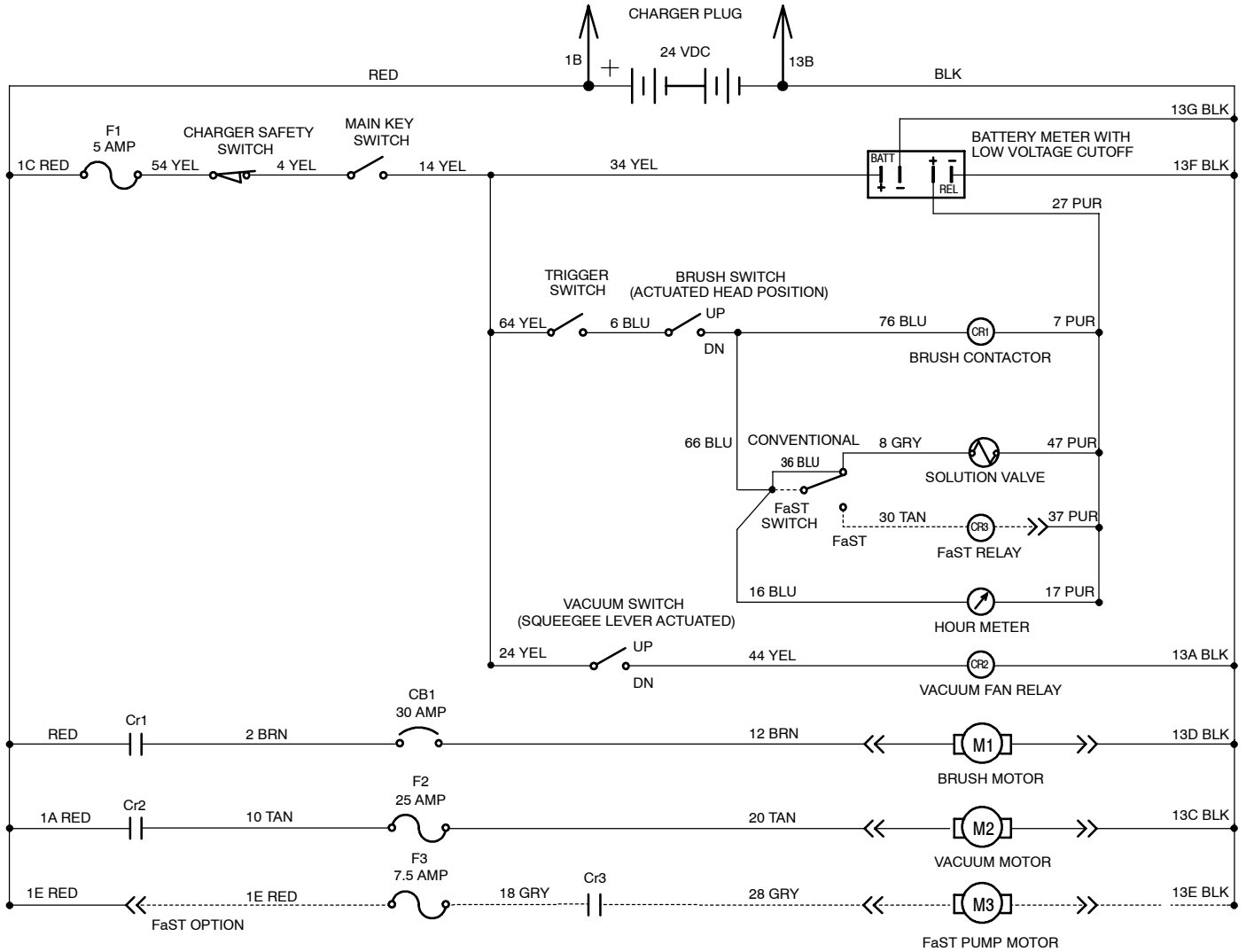
ELECTRICAL DIAGRAM, DRIVE MODEL (S/N 0000000-10339947)

1009777

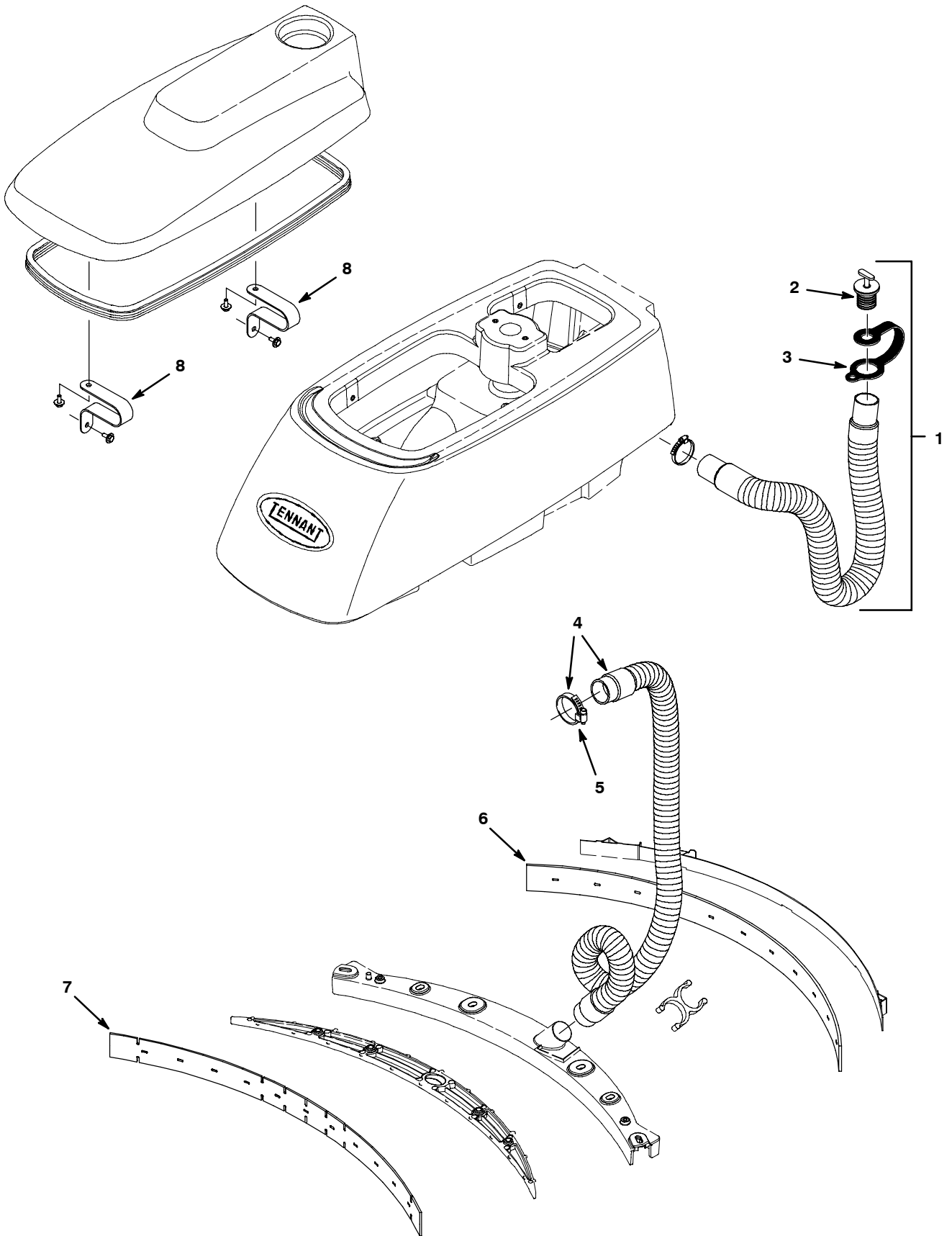


ELECTRICAL DIAGRAM, BRUSH ASSIST MODEL (S/N 0000000-10339947)

1010319



OIL RESISTANCE GROUP (Japan)



OIL RESISTANCE GROUP (Japan)

	Ref.	Part No.	Serial Number	Description	Qty.
▽		989859	(00000000-) Kit, Oil Resistance, T3	1
▲▽	1	989857	(00000000-) Hose Assy, Urethane	1
▲▲	2	398850	(00000000-) Plug, Expandable, Rnd 1.500h 1.8l	1
▲▲	3	578441	(00000000-) Strap, Hose, Drain [170/443/E17]	1
▲▽	4	989858	(00000000-) Assy, Vacuum Hose, Urethane	1
▲▲	5	140308	(00000000-) Clamp, Hose, Wormdrive, 1.31-2.25d, .50w	1
▲	6	1014094	(00000000-) Blade, Sqge, Rear, 32.68l Pyu [500mm]	1
▲	7	1014092	(00000000-) Blade, Sqge, Front, 784mml Oil-Rstn	1
▲	8	989856	(00000000-) Strap, Tank, Urethane	2

▽ ASSEMBLY

▲ INCLUDED IN ASSEMBLY